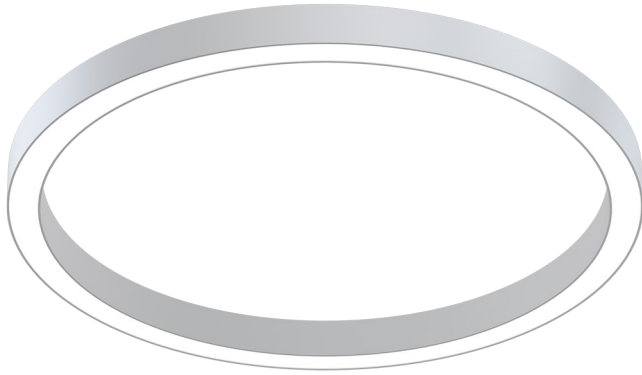


Ring 3ft indirect/direct

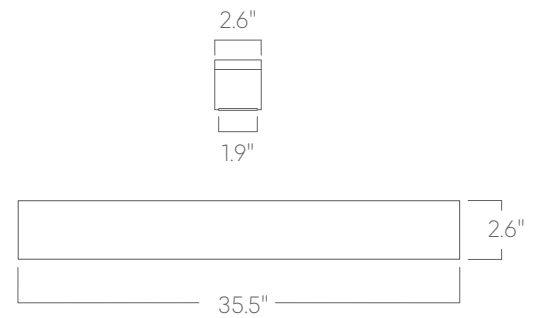


Our Performance Decorative luminaires offer a variety of decorative forms and sizes suitable for any modern space.

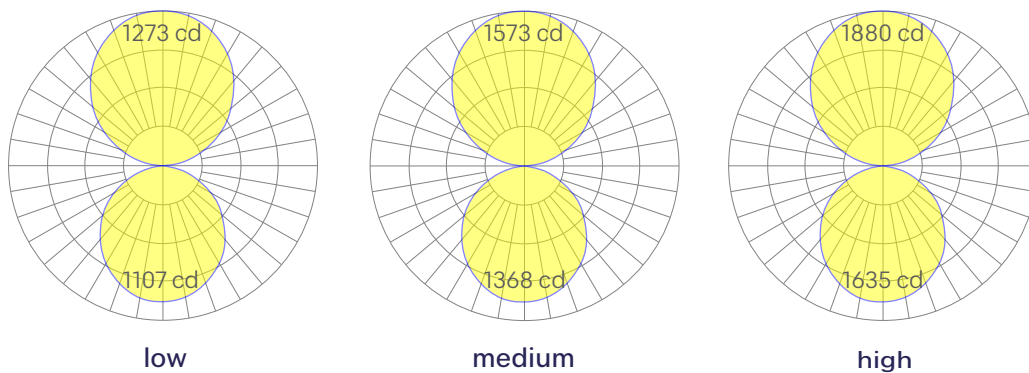
Features

- Rolled extruded aluminum
- Specifiable color temperature. CRI > 90, R9 >50
- Specifiable dimmable drivers or PoE
- Custom colors and wood finishes finishes available
- 5 Year, 50,000 hour warranty, damp location rated
- WELL Building Standard compatible [learn more](#)

Dimensions



Optics



Representative distribution and peak candela. For other options see order information or IES files [here](#).

Ring 3ft indirect/direct

Ordering Information

For each option group below specify one option. If you don't see your preferred option listed, contact us for [help](#).

1 Fixture ID	2 Length	3 Color Temperature	4 Output
RING UPDN	3 3 ft	27 2700K/90 CRI 30 3000K/90 CRI 35 3500K/90 CRI 40 4000K/90 CRI	Indirect LOW Low output MED Medium output HIGH High output CUST Custom output Specify Watts or lumens Direct LOW Low output MED Medium output HIGH High output CUST Custom output Specify Watts or lumens.
5 Voltage	6 Driver	7 Finish	8 Mounting
UNV Universal (120/277V) 347V 347V Available for DB Driver only	DB Standard 0-10V 1% PoE Power over Ethernet.	W White BLK Black SLV Silver CC Custom Color See finish options here . CWF Custom Wood Finish See finish options here .	AC-CENT Aircraft Cable Suspended from a center canopy 50" steel cable provided. White canopies and power cord unless option specified in section 12. AC-MULTI Aircraft Cable Individual suspension points 50" steel cable provided. White canopies and power cord unless option specified in section 12.
9 Optics	10 Sensors/Controls	11 Circuit	12 Options
9a - Indirect SD Standard Diffuser 9b - Direct SD Standard Diffuser	NA None ACM Acuity nLight Module Only CCS Casambi Module AWN Lutron Athena Wireless Node Module OTHER Consult Factory	NA None DC Dual Circuit (separate indirect/direct control) May require additional power feeds. EMPCK Emergency battery pack May require additional power feeds. EMCKT Emergency circuit May require additional power feeds. DAYCKT Daylight circuit May require additional power feeds.	STD White Canopy + White Cord CAN-X Canopy + color See finish options here . SJ-BLK Black cord SJ-WHT White cord

Performance

Output ¹	Indirect		Direct	
	Watts	Lumens	Watts	Lumens
Low	44	3629	44	3156
Medium	56	4485	56	3900
High	69	5360	69	4661

¹Based on a typically configured 90 CRI, 3500K luminaire using one driver.
Custom outputs available. Please consult factory.
For 4000K multiply by 1.05; for 3000K, 0.9%; for 2700K, 0.92.

Technical Information



click [here](#) or
scan QR code

Wiring diagrams, PoE and sensor details

Ring 3ft indirect/direct

Emergency Back-Up

Emergency, battery-powered drivers are available. Emergency circuits for use with building generators are also available.

Drivers & Electrical

Remote, dimmable drivers are supplied in enclosures. For remote driver box sizes, click [here](#).

PoE (Power over Ethernet)

Compatible with virtually all PoE systems including Molex Coresync, Igor, Smartengine, Platformatics, and NuLED SPICEbox. Consult Factory for systems not listed, See [here](#) for more info.

Weight

18 lbs

Optics

Laser-cut, cast, high-transmission acrylic lens with no LED imaging.

Construction

Rolled extruded aluminum.

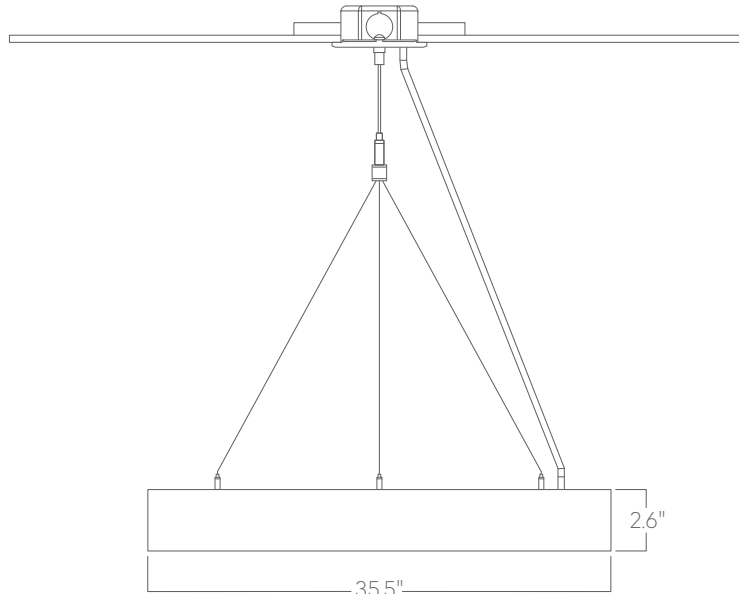
Finishes

All luminaires are finished in high quality polyester powder coating. Our standard color is white. Any RAL color may be specified.

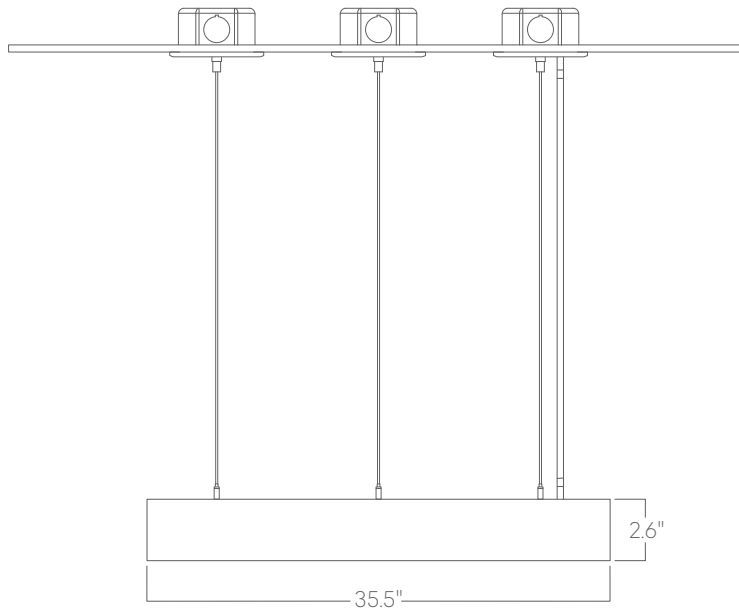
Ring 3ft indirect/direct

Mounting Options

Custom mounting types and ceiling transitions available; consult factory.



Aircraft cable



Aircraft cable (Individual susp. points)

Please consult factory shop drawings for suspension points. To prevent damage to fixtures, factory designated suspension points must not be field altered.