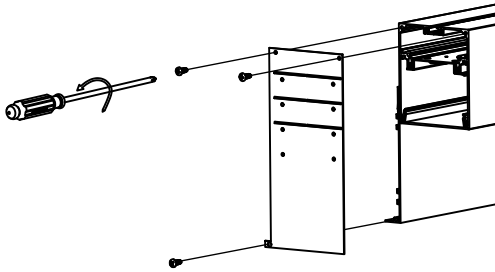


INSTALLATION GUIDE—PERIMETER



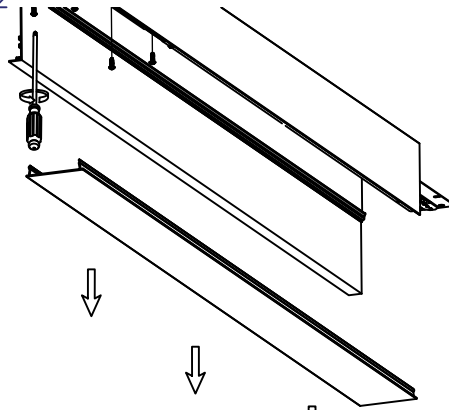
Risk of fire and electrical shock. In accordance with national local building and electrical codes, CORONET lighting fixtures must be installed by a qualified electrician. Disconnect power at electrical panel before servicing.

1



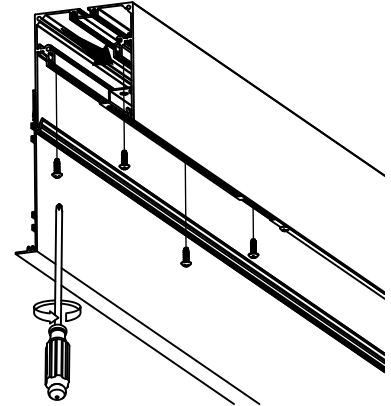
Remove end plate from adjustable section of fixture

2



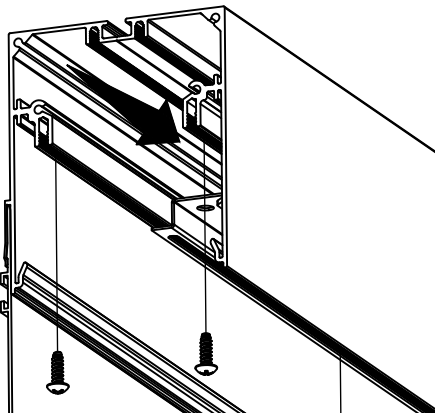
Remove the lens from the house

3



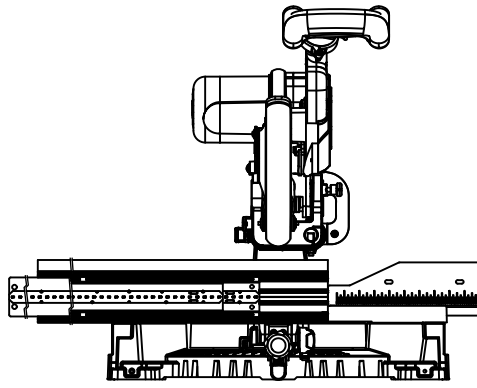
Remove (4) 8-32 screws from adjustable tray

4



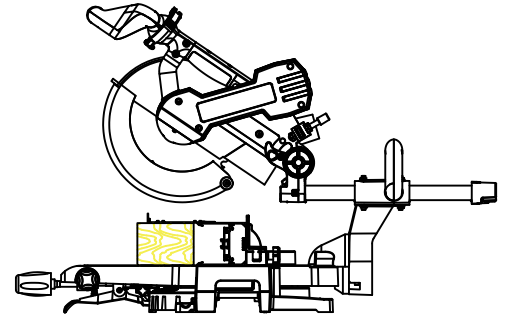
Adjust tray towards the inside to prepare for cutting.

5



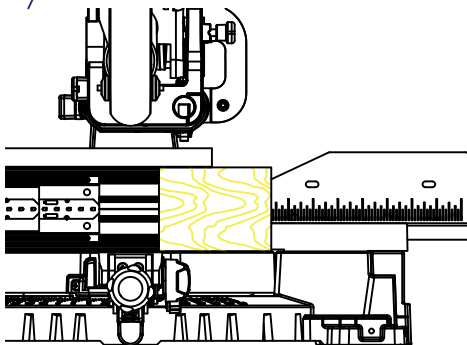
Place on the miter saw as shown

6



Cut down extrusion to match the length needed to fill end of run.
Minimum 1"–Maximum 7"
(Must use miter saw with aluminum cutting blade)

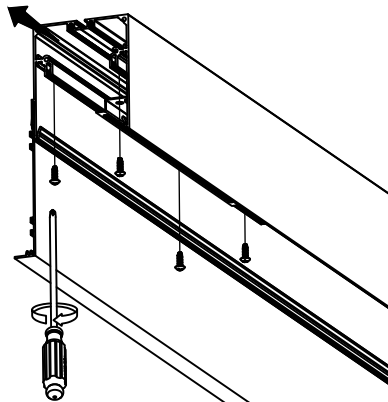
7



Insert some type of blocking to prevent housing to warp or deform during cut.
(Must use miter saw with aluminum cutting blade)

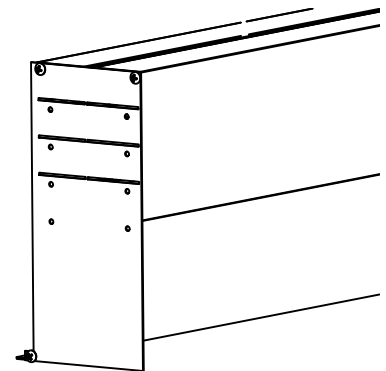
NOTE: JUNCTION BOXES MUST BE SOLIDLY FIXED TO THE CEILING AND ATTACHED TO THE STRUCTURAL MEMBER INSIDE THE CEILING BEFORE PROCEEDING WITH INSTALLATION.

8



Adjust tray into position and screw in to lock in place, cut lens to size and reinstall into fixture.

9



Reinstall end plate on end and fixture is now ready for final installation.