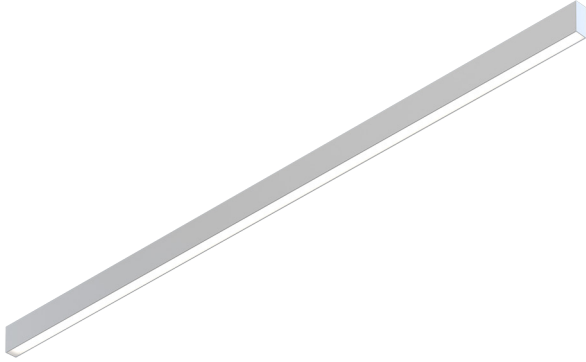


Rush direct

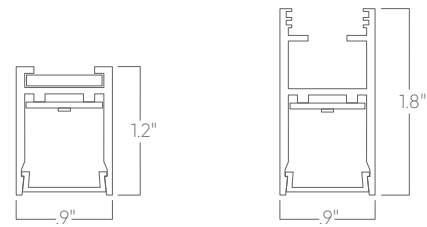


Our linear architectural luminaires offer a wide range of profiles and mounting options. Custom lengths and patterns are tailored to suit any modern space.

Features

- Power over aircraft cable system
- Extruded, recycled aluminum housing
- Aluminum core LED boards, specifiable output
- Specifiable color temperature. CRI > 90, R9 >50
- Custom lengths, welded patterns, and finishes available
- Specifiable dimmable drivers or PoE
- 5 Year, 50,000 hour warranty, damp location rated
- WELL Building Standard compatible [learn more](#)

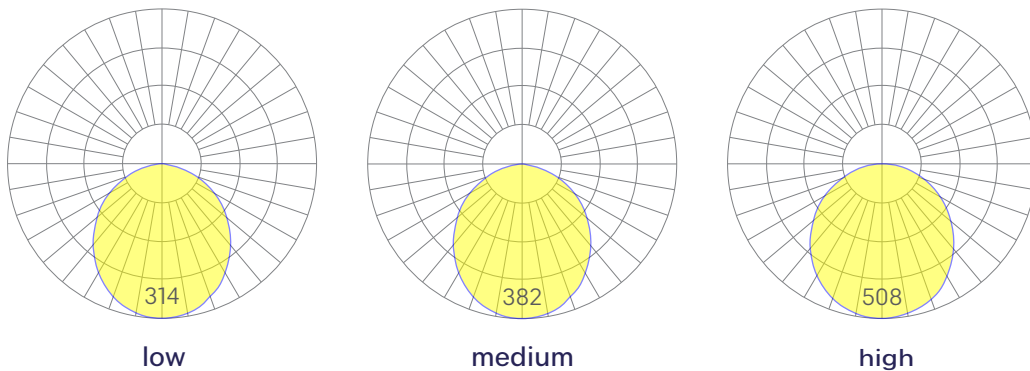
Dimensions



AC & SM mounting ACP/PS/WM mounting

*See page 4 for mounting details.

Optics



Representative distribution and peak candela. For other options see order information or IES files [here](#).

Ordering Information



Example: RUSH DN - 8 - 35 - MED - UNV - DB - W - AC - SD - CCS - DAYCKT - STD

Fixture ID	Length	Color Temperature	Output
RUSH DN	2 ft 4 ft 8 ft Specify Length Pattern (Consult Factory)	27 2700K/90 CRI 30 3000K/90 CRI 35 3500K/90 CRI 40 4000K/90 CRI	LOW Low output MED Medium output HIGH High output CUST Custom output ¹
¹ Custom lengths available in 1" increments			
¹ consult factory			
Voltage	Driver	Finish	Mounting
UNV 347V ¹ Universal (120/277V) 347V	DB Standard 0-10V 1% DB.1% 0-10V 0.1% ELV ² Reverse Phase 1% (120V only) TRI ² Forward phase (120V only) LDE1 Lutron Digital EcoSystem DALI DALI-2 Driver PoE Power over Ethernet. DMX ¹ DMX512	W White BLK Black SLV Silver CC ¹ Custom Color CWF ¹ Custom Wood Finish	ACP ³ Power Over Aircraft Cable AC ² Aircraft Cable (50") AC3.5 ² 3.5" canopy + jbox adaptor ¹ ACPC ⁴ Aircraft cable to Conduit SM ² Pipe Canopy Surface Mount WM ³ Wall Mount PS-X ³ Pendant Stem (12", 18", 24", 36", 48")
¹ Must use DB Driver	¹ Set to default address 001. Contact us for other addressing needs. ² For compatible dimmers, click here . All drivers remote	¹ Custom Color. See finish options here . White SJ cord and canopy provided; for other requests, see section 12 to specify.	¹ Adapter must be mudded-in White stems and canopy provided unless otherwise specified in options (section 12) ² Uses 1.2" tall extrusion ³ Uses 1.8" tall extrusion ⁴ Not available with Power Over Aircraft Cable.
Optics	Sensors/Controls	Circuit	Options
SD Standard Diffuser	NA None EIS Enlighted sensor WISM Wattstopper occupancy sensor WISD Wattstopper daylight sensor ACM Acuity nLight module only ACS Acuity nLight sensor CCS Casambi module AWNRR Lutron Athena Wireless Node Module	NA None EMPCK Emergency Battery Pack EMCKT Emergency Circuit DAYCKT Daylight Circuit	For Aircraft Cable (AC) fixtures, STD White Canopy + White Cord CAN-X ¹ Canopy + color SJ-X ² SJ Cord + color For Power Over Wire (ACP) fixtures, STD White Canopy + ACP ³ CAN-X ¹ Canopy + color + ACP ³
	¹ All control options are remote. Consult factory for other options.		¹ See finish options here . ² SJ Cord only available in White or Black. ³ Power over wire cable color is not customizable.

Performance

Output ¹	Watts/ft	Lumens/ft
Low	4	216
Medium	5	262
High	7	349

¹Based on a typically configured 90 CRI, 3500K luminaire using one driver.

Custom outputs available. Please consult factory.
For 4000K multiply by 1.05; for 3000K 0.96; for 2700K, 0.92.

Technical Information



click [here](#) or scan QR code

Wiring diagrams, PoE and sensor details

Modification date: February 2023

Drivers & Electrical

Remote, dimmable drivers are supplied in enclosures. Our Power Over Wire systems delivers power to the luminaire via the suspension cables, eliminating a separate power feed. For remote driver box sizes, click [here](#).

Emergency Back-Up

For fixtures three-feet or longer, a 4W emergency driver may be wired to 4ft sections. 7W, 10W, and 12W drivers are also available. Emergency circuits for use with building generators are also available.

PoE (Power over Ethernet)

Compatible with virtually all PoE systems including Moxel Coresync, Igor, Smartengine, Platformatics, and NuLED SPICEbox. Consult Factory for systems not listed, See [here](#) for more info.

Finishes

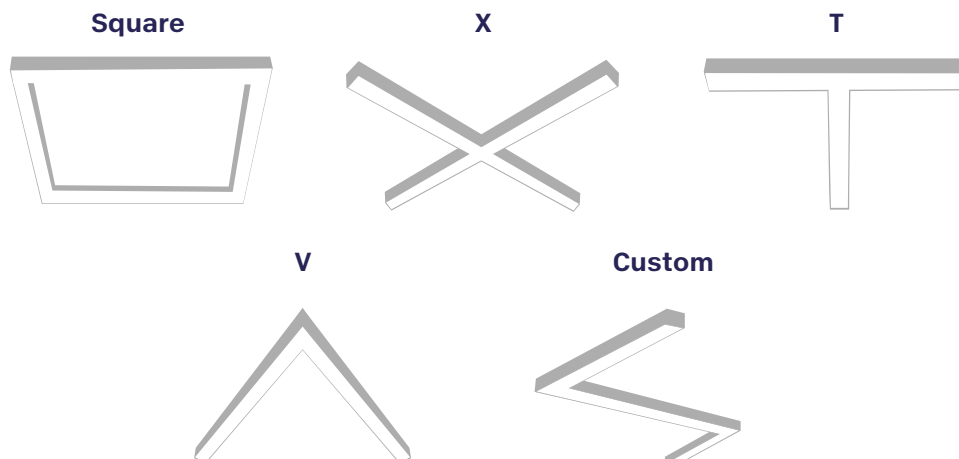
All luminaires are finished in high quality polyester powder coating. Our standard color is white. Any RAL color may be specified.

Weight

1 lb per foot

Patterns

Featuring illuminated welded corners and angles. Consult factory for custom designs.



Optics

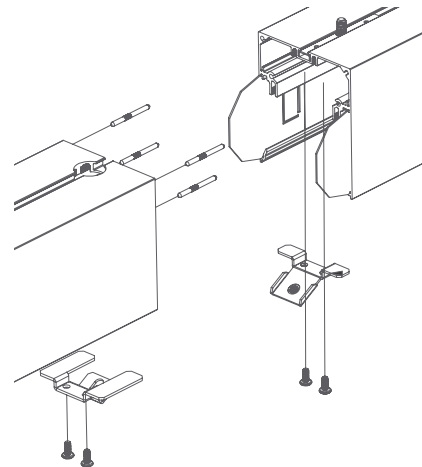
Extruded satin acrylic lenses provide excellent diffusion, high transmission, and no LED imaging. Glare-free, beam-shaping, optical cells are available for some models.

Construction

Housings are extruded premium, recycled aluminum. Individual fixtures are available up to 12' long and may be specified as nominal or precision lengths.

Joined Runs

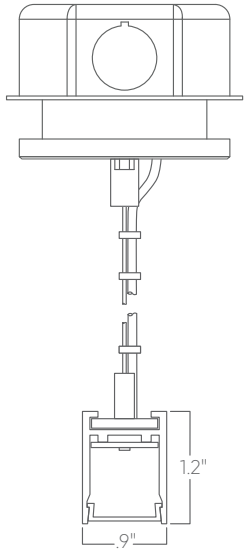
Runs of any length may be specified and are comprised of multiple, factory-engineered, joined sections. Individually specified luminaires are not field joinable.



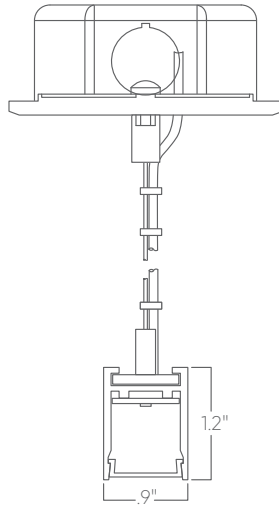
Representative joinery. For product specific details see installation guides or submittal drawings.

Mounting Options

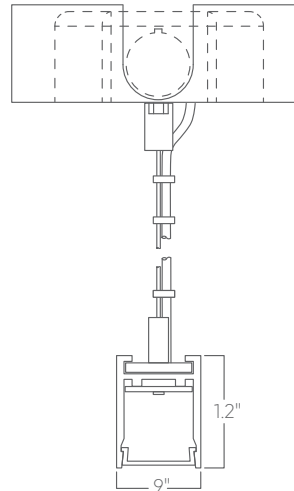
Custom mounting types and ceiling transitions available; consult factory.



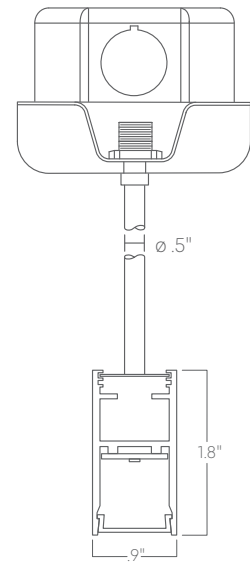
**Aircraft cable
3.5" canopy**



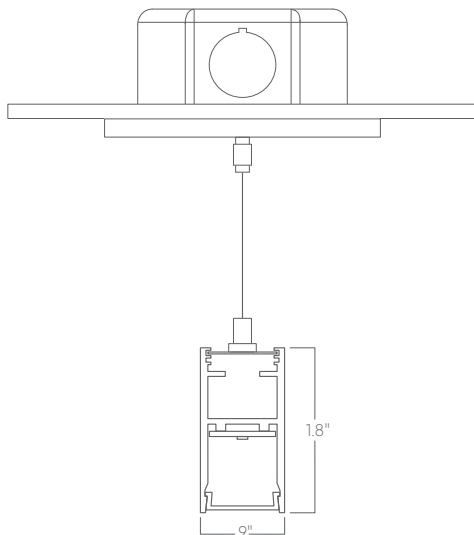
**Aircraft cable
5" canopy**



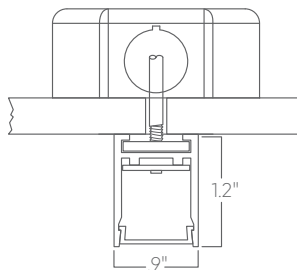
**Aircraft cable
Conduit canopy
with knockouts**



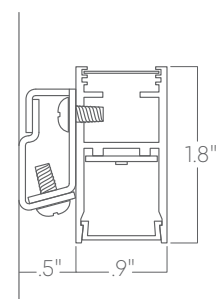
Pendant stem



Power over aircraft cable



Surface mount



Wall mount