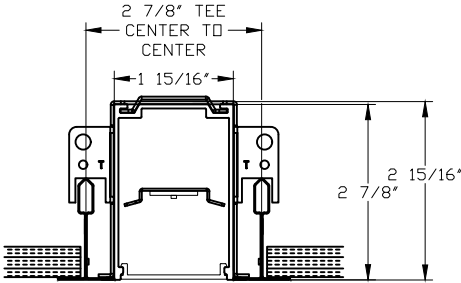


## INSTALLATION GUIDE-GRID RECESSED

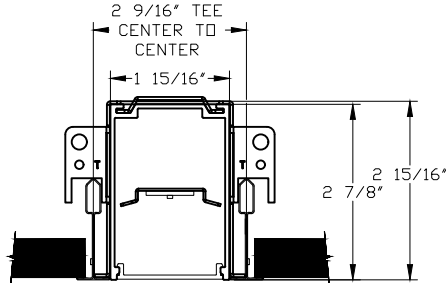


Risk of fire and electrical shock. In accordance with national local building and electrical codes, CORONET lighting fixtures must be installed by a qualified electrician. Disconnect power at electrical panel before servicing.

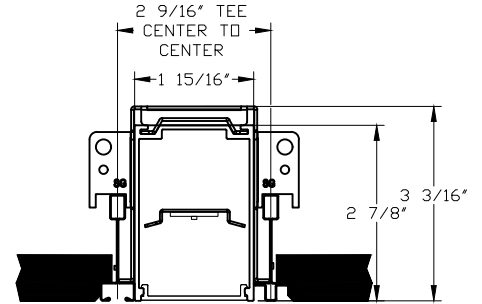
### CROSS SECTION VIEW



LSR1 T-GRID 15/16



LSR1 T-GRID 9/16



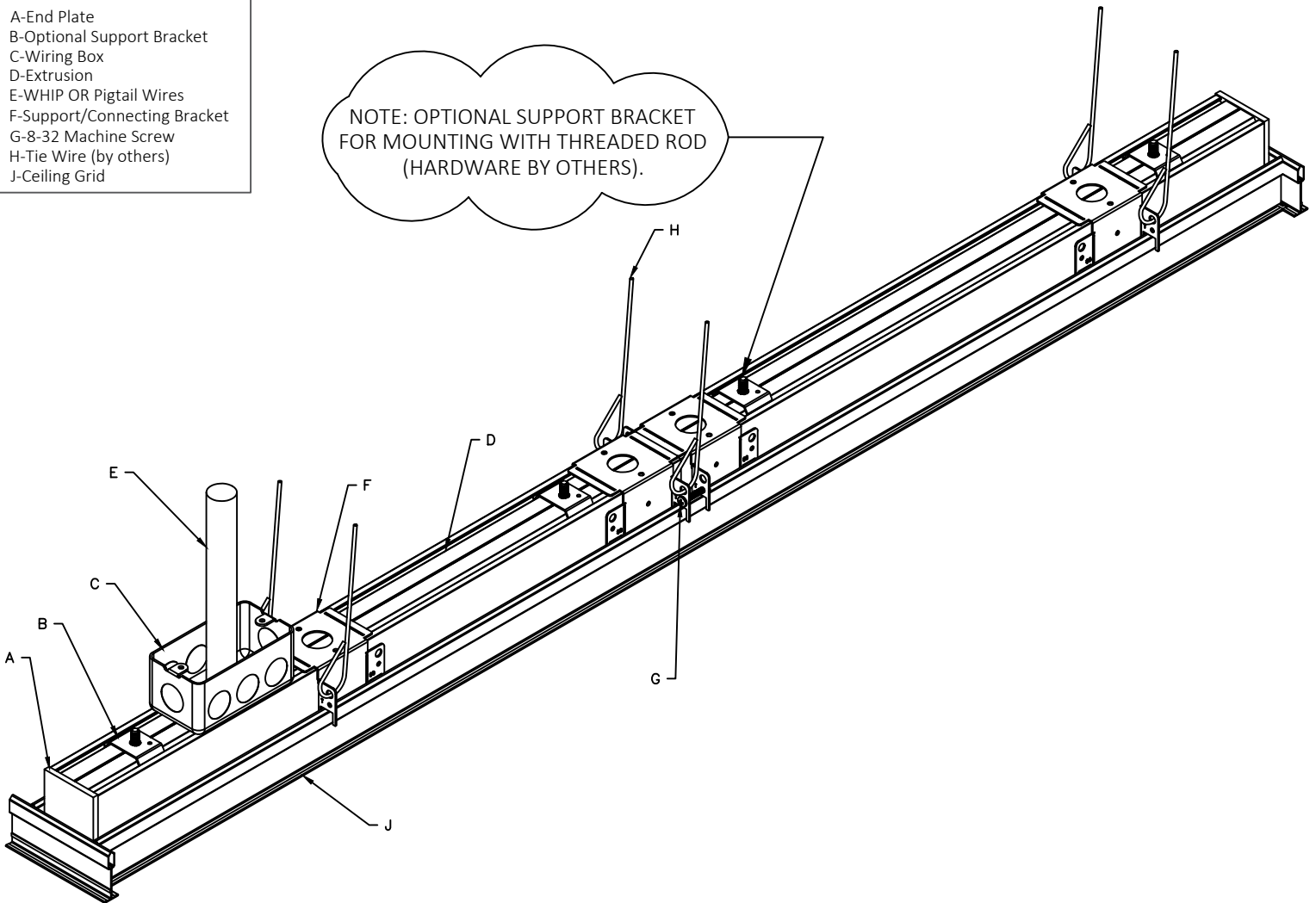
LSR1 SLOT GRID/INTERLUDE

### PART LIST

- A-End Plate
- B-Optional Support Bracket
- C-Wiring Box
- D-Extrusion
- E-WHIP OR Pigtail Wires
- F-Support/Connecting Bracket
- G-8-32 Machine Screw
- H-Tie Wire (by others)
- J-Ceiling Grid

### ISOMETRIC VIEW

NOTE: OPTIONAL SUPPORT BRACKET FOR MOUNTING WITH THREADED ROD (HARDWARE BY OTHERS).

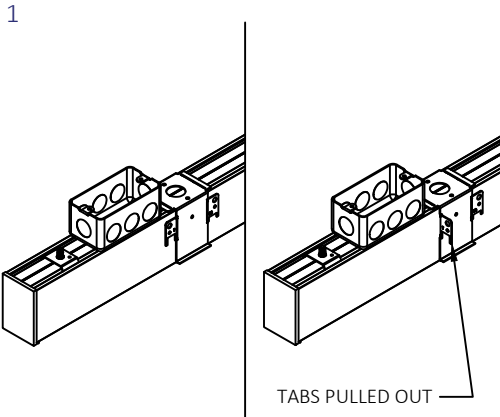


NOTE: INDIVIDUAL FIXTURES ARE NOT INTENDED FOR CONTINUOUS RUNS. ADDITIONAL SUPPORTS TO THE STRUCTURE MAY BE REQUIRED. \*CHECK WITH YOUR LOCAL BUILDING CODE FOR THOSE REQUIREMENTS. TEE GRID DIMENSION IS NOT STANDARD. CONTRACTOR MUST MODIFY CEILING GRID TO FIT AROUND FIXTURE.

INSTALLATION GUIDE-GRID RECESSED

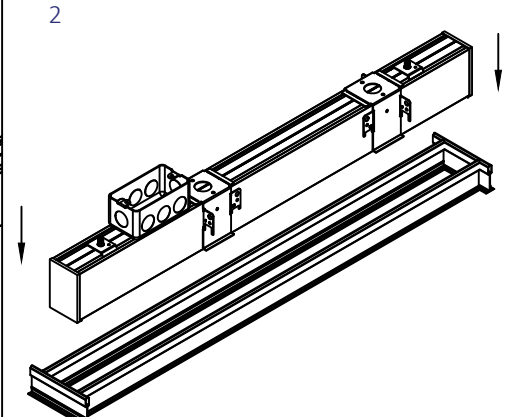


Risk of fire and electrical shock. In accordance with national local building and electrical codes, CORONET lighting fixtures must be installed by a qualified electrician. Disconnect power at electrical panel before servicing.

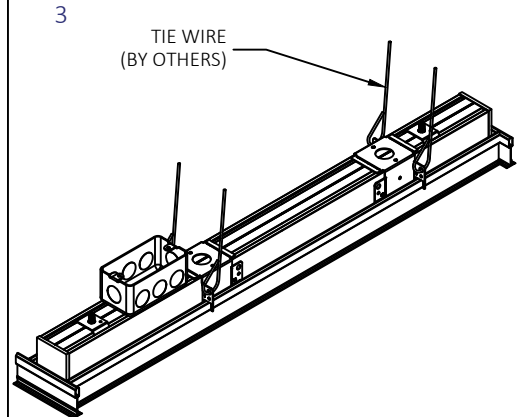


TABS PULLED OUT

Before installing into the grid, pull out the tabs from the support brackets. Note: One tab is for T-Grid and one is for Slot Grid.

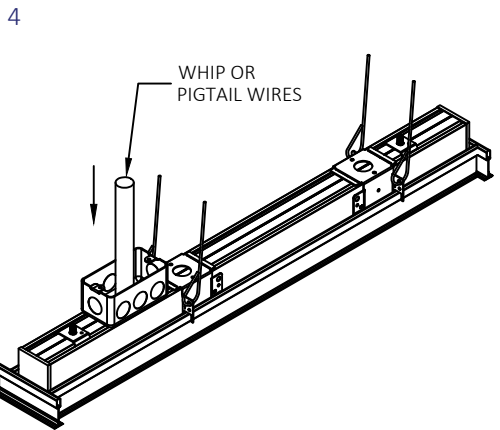


Drop the fixture into the ceiling grid and allow the brackets to rest on the ceiling grid.



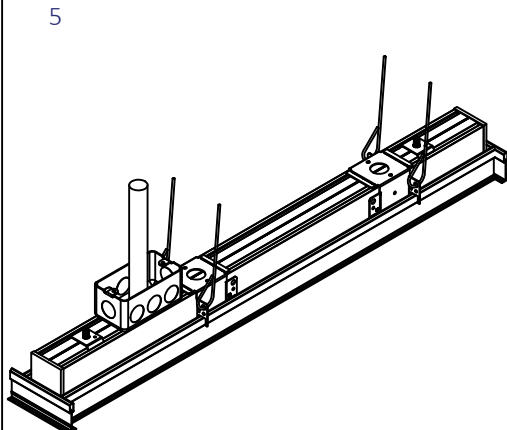
TIE WIRE (BY OTHERS)

Use tie wire (by others) to secure the brackets to the building plenum.

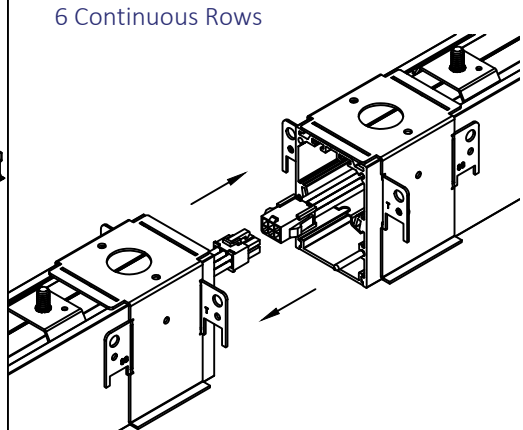


WHIP OR PIGTAIL WIRES

Attach the WHIP to the fixture through the hole in the wiring box at the top of the fixture.

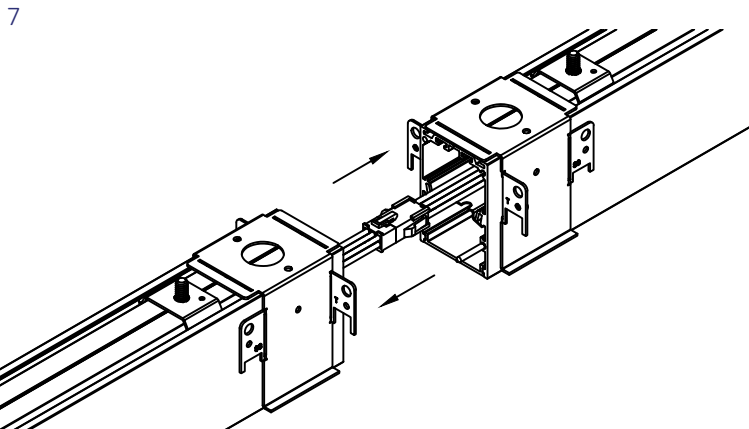


Power on the fixture to ensure that it operates correctly.

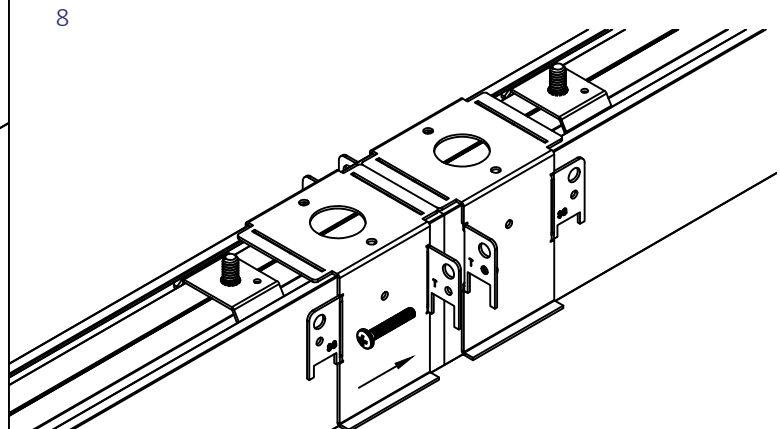


6 Continuous Rows

Before connecting the two fixtures, connect the wiring harness.



Align the two fixtures using the alignment pins and light shields. Warning: Keep hands clear of connection.

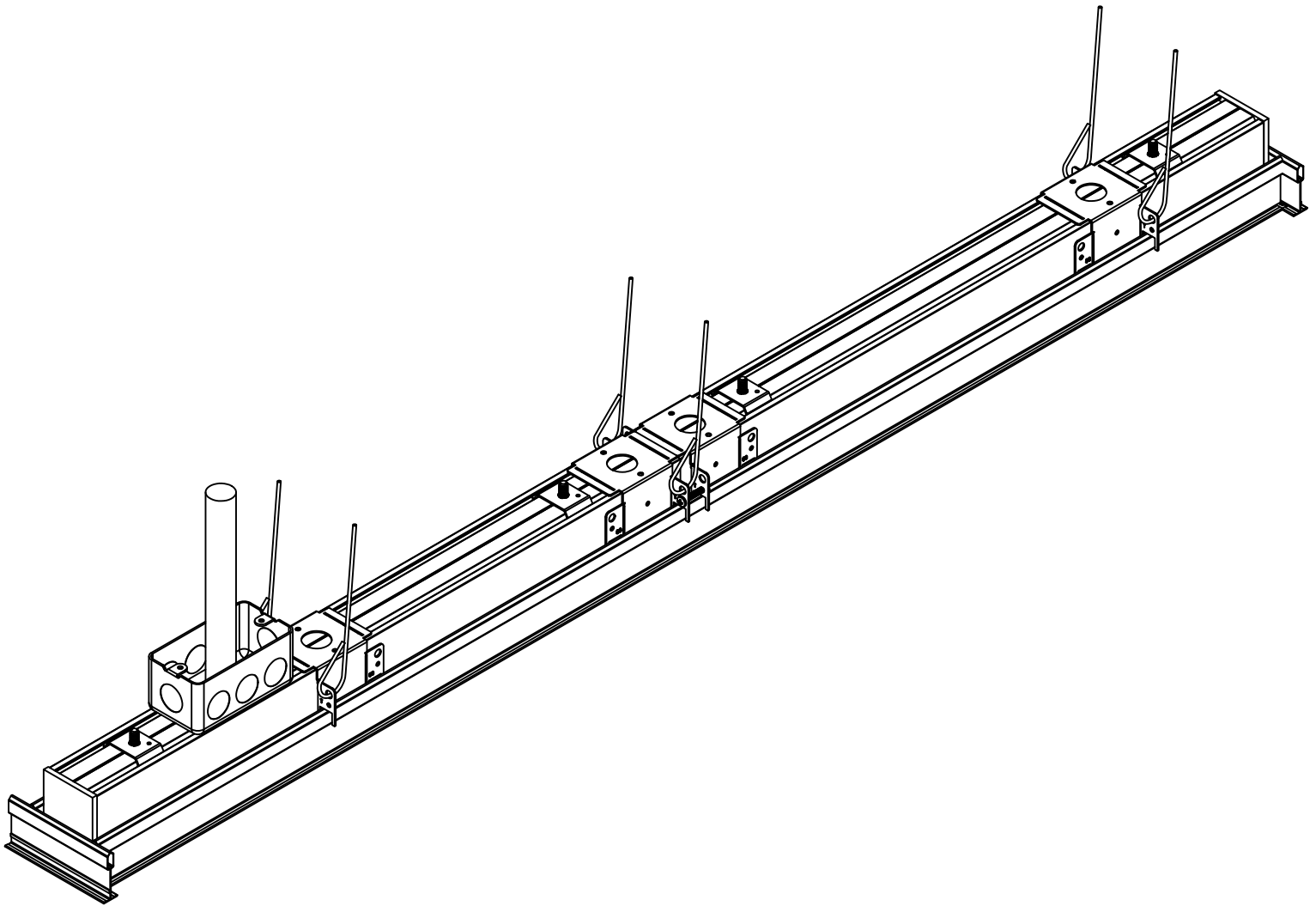


Connect the two fixtures using the provided 8-32 machine screw on both sides of the connecting bracket.

NOTE: JUNCTION BOXES MUST BE SOLIDLY FIXED TO THE CEILING AND ATTACHED TO THE STRUCTURAL MEMBER INSIDE THE CEILING BEFORE PROCEEDING WITH INSTALLATION.



Risk of fire and electrical shock. In accordance with national local building and electrical codes, CORONET lighting fixtures must be installed by a qualified electrician. Disconnect power at electrical panel before servicing.



Repeat steps 1-5 to install the fixture into the grid correctly.

**GENERAL INSTALLATION CONSIDERATIONS** - See submittal drawings for job specific data.

Operating Temperature.....-40°C to 50°C  
Operating Voltage.....110VAC-277VAC, 50Hz-60Hz  
Weight.....lb/ft  
Dimensions.....See submittal drawings

- Installation by a certified electrician only.
- Read and understand the installation instructions before attempting to install or use the fixture.
- Only use fixtures with voltage for which it is rated. Do not exceed the specified voltage and current input.
- Do not use the fixture if the housing, lens, or power cable is damaged.
- Ensure that the main power supply is off before installing or wiring the fixture.
- Method of wire connection to be determined by local electrical codes and regulations.
- The external flexible cable of this luminaire cannot be field replaced; if the cord is damaged, contact Coronet.
- The light source contained in this luminaire shall only be replaced by the lighting manufacturer or his service agent or a similar qualified person.

Please contact our technical support team for assistance.

NOTE: JUNCTION BOXES MUST BE SOLIDLY FIXED TO THE CEILING AND ATTACHED TO THE STRUCTURAL MEMBER INSIDE THE CEILING BEFORE PROCEEDING WITH INSTALLATION.