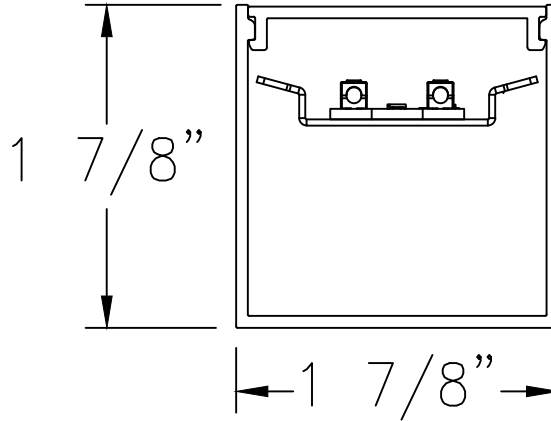


## INSTALLATION GUIDE-WALL MOUNT



Risk of fire and electrical shock. In accordance with national local building and electrical codes, CORONET lighting fixtures must be installed by a qualified electrician. Disconnect power at electrical panel before servicing.

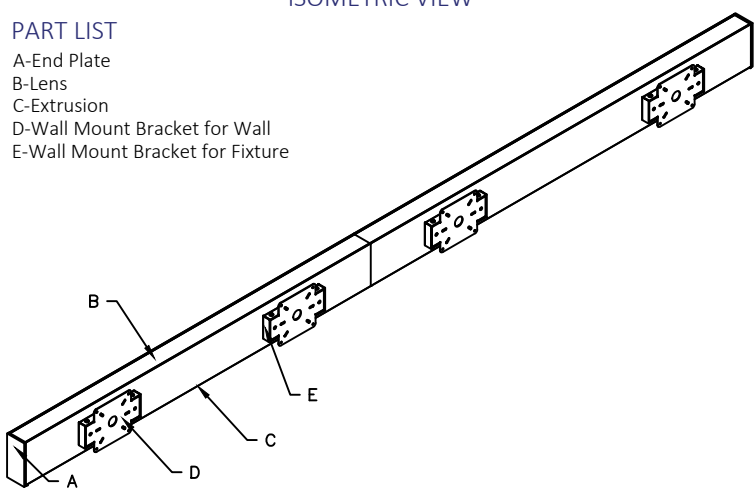
### CROSS SECTION VIEW



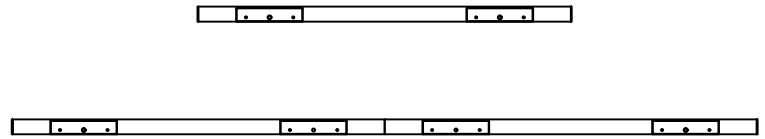
### ISOMETRIC VIEW

#### PART LIST

- A-End Plate
- B-Lens
- C-Extrusion
- D-Wall Mount Bracket for Wall
- E-Wall Mount Bracket for Fixture

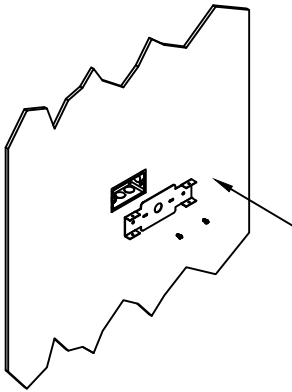


### SIDE VIEW



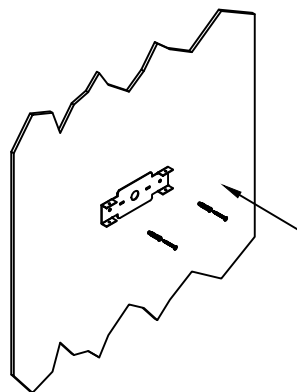
PLEASE CONSULT FACTORY SHOP DRAWINGS FOR MOUNTING POINTS.

#### 1 Option 1



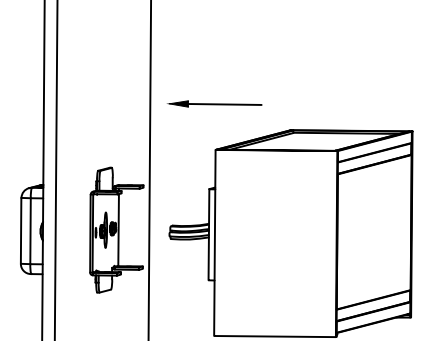
For a switch box that isn't offset from the wall, secure the wall bracket to the switch box with screws (hardware by others).

#### 2 Option 2



If the switch box is offset from the wall, secure the wall bracket to the wall with support anchors (hardware by others).

#### 3



Before connecting the fixture to the wall, run the wires from the fixture to and through the switch box.

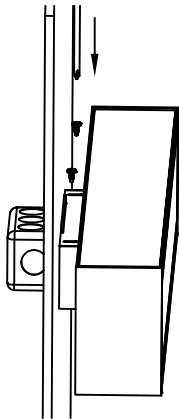
INDIVIDUAL FIXTURES ARE NOT INTENDED FOR CONTINUOUS RUNS.  
ADDITIONAL SUPPORTS TO THE STRUCTURE MAY BE REQUIRED.  
\*CHECK WITH YOUR LOCAL BUILDING CODE FOR THOSE REQUIREMENTS

## INSTALLATION GUIDE-WALL MOUNT



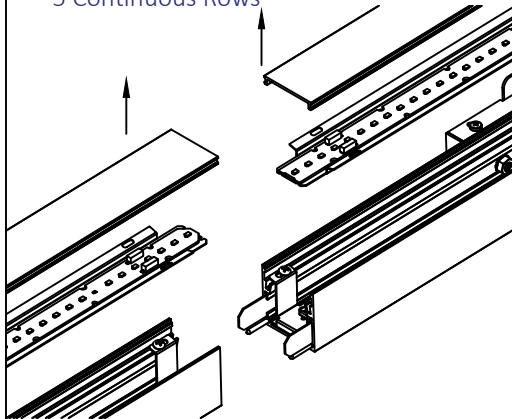
Risk of fire and electrical shock. In accordance with national local building and electrical codes, CORONET lighting fixtures must be installed by a qualified electrician. Disconnect power at electrical panel before servicing.

4



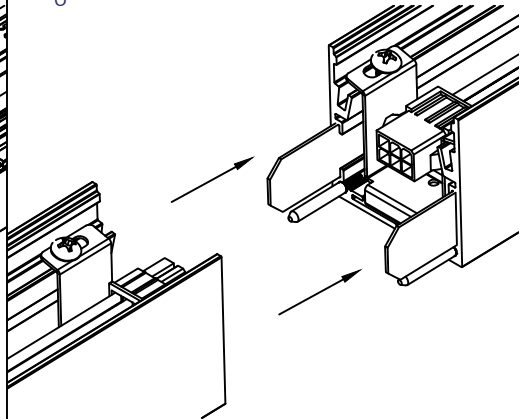
Secure the two wall brackets together with the provided #8 drilling screws at the top and bottom of the bracket.

5 Continuous Rows



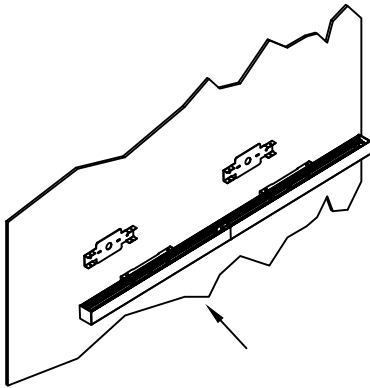
Before connecting the two fixtures, remove the lens and LED tray.

6



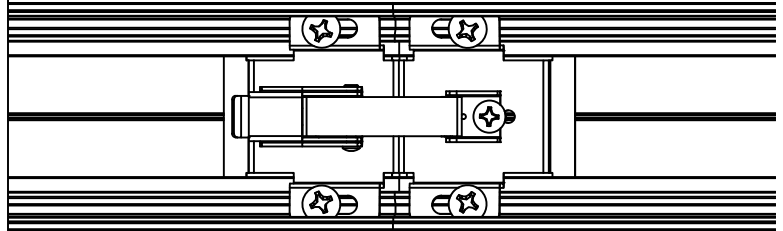
Using the alignment pins, connect the two fixtures together.  
Note: Do not connect the wiring harness together yet.

7



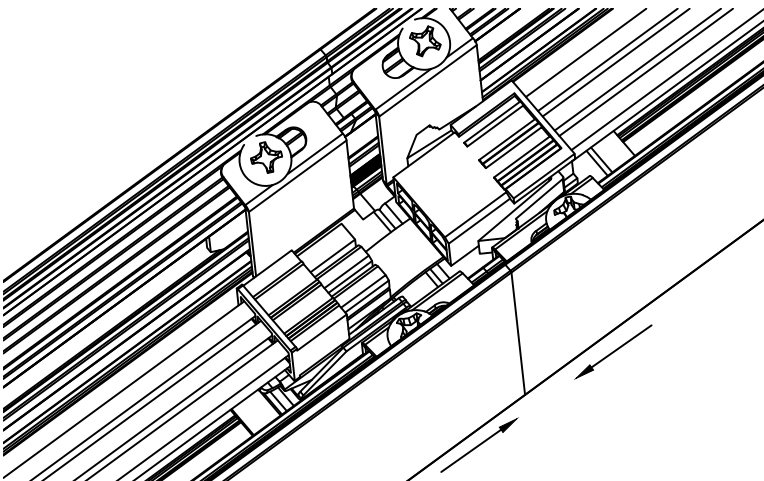
Mount and secure the runs of fixtures to the wall following steps 3 and 4 again.

8



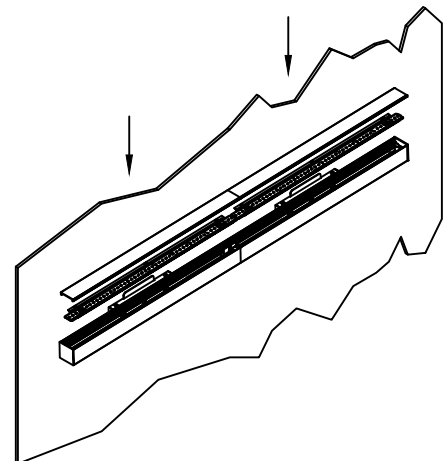
Use the catch & latch to secure the two fixtures together.

9



Connect the wiring harnesses together.

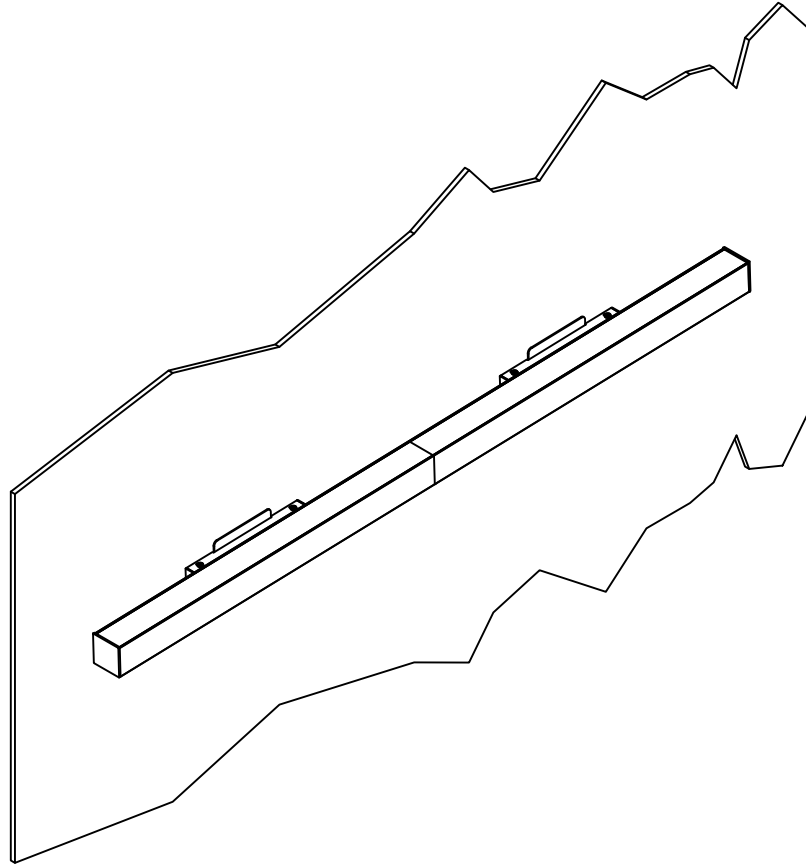
10



Reinstall the lens and the LED trays.



Risk of fire and electrical shock. In accordance with national local building and electrical codes, CORONET lighting fixtures must be installed by a qualified electrician. Disconnect power at electrical panel before servicing.



Turn on the power and make sure everything works properly, it's securely connected, and no light leaks are present.

**GENERAL INSTALLATION CONSIDERATIONS - See submittal drawings for job specific data.**

Operating Temperature.....	-40°C to 50°C
Operating Voltage.....	110VAC-277VAC, 50Hz-60Hz
Weight.....	.1.8 lb/ft
Dimensions.....	See submittal drawings

- Installation by a certified electrician only.
- Read and understand the installation instructions before attempting to install or use the fixture.
- Only use fixtures with voltage for which it is rated. Do not exceed the specified voltage and current input.
- Do not use the fixture if the housing, lens, or power cable is damaged.
- Ensure that the main power supply is off before installing or wiring the fixture.
- Method of wire connection to be determined by local electrical codes and regulations.
- The external flexible cable of this luminaire cannot be field replaced; if the cord is damaged, contact Coronet.
- The light source contained in this luminaire shall only be replaced by the lighting manufacturer or his service agent or a similar qualified person.

Please contact our technical support team for assistance.

NOTE: JUNCTION BOXES MUST BE SOLIDLY FIXED TO THE CEILING AND ATTACHED TO THE STRUCTURAL MEMBER INSIDE THE CEILING BEFORE PROCEEDING WITH INSTALLATION.