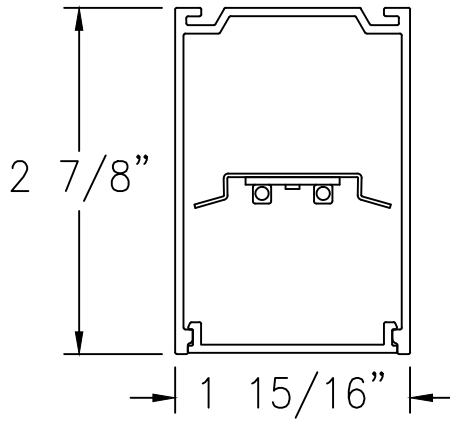


INSTALLATION GUIDE-SURFACE MOUNT



Risk of fire and electrical shock. In accordance with national local building and electrical codes, CORONET lighting fixtures must be installed by a qualified electrician. Disconnect power at electrical panel before servicing.

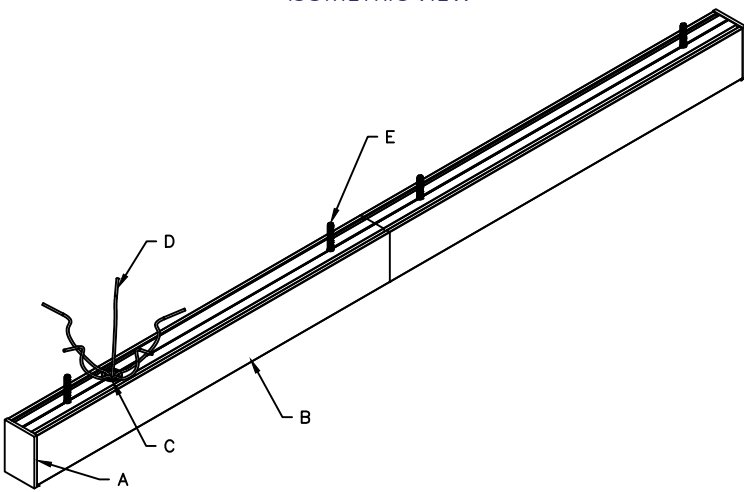
CROSS SECTION VIEW



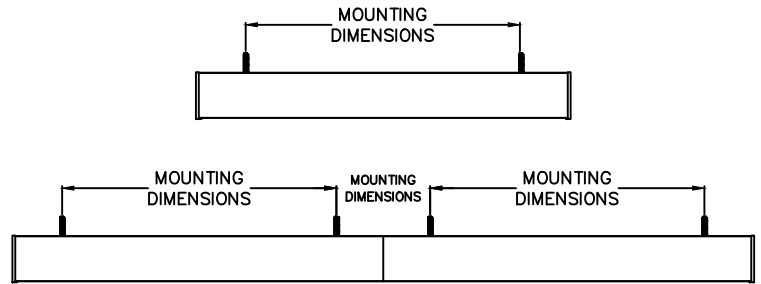
PART LIST

- A-End Plate
- B-Extrusion
- C-Bushing
- D-Power Cable
- E-1/4-20 Machine Screw

ISOMETRIC VIEW

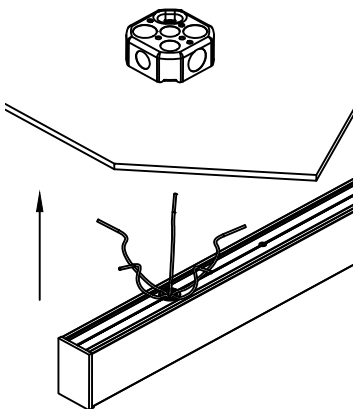


SIDE VIEW



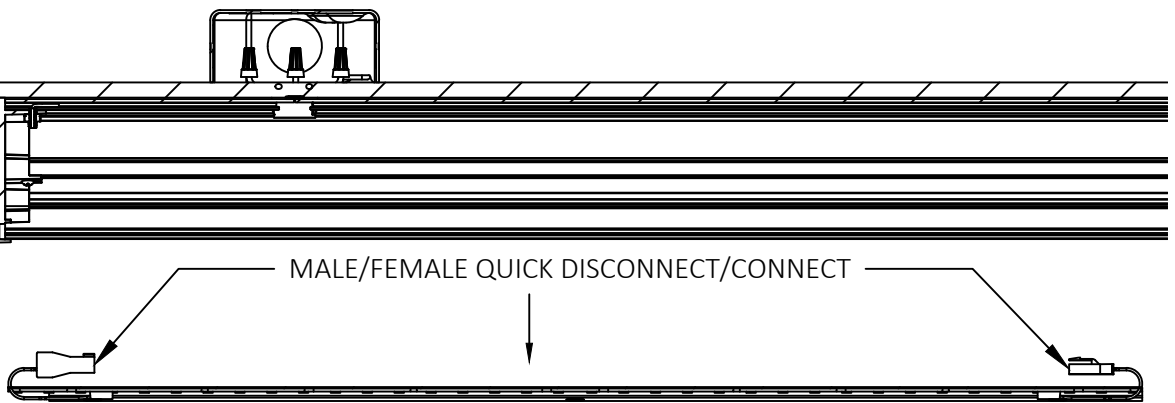
PLEASE CONSULT FACTORY SHOP DRAWINGS FOR MOUNTING POINTS.

1



Before mounting the fixture to the ceiling, run the wires from the fixture to and through the switch box.

2



Remove the LED trays to allow access for securing the fixture to the ceiling. The end LED trays will be shipped loose. For fixture runs longer than 4ft, the middle LED trays will be connected to the fixture and they will have to be removed to secure the fixture to the ceiling.

INDIVIDUAL FIXTURES ARE NOT INTENDED FOR CONTINUOUS RUNS.

ADDITIONAL SUPPORTS TO THE STRUCTURE MAY BE REQUIRED.

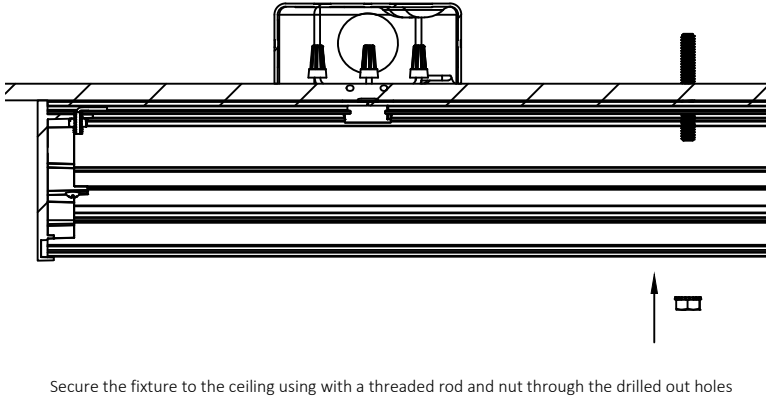
*CHECK WITH YOUR LOCAL BUILDING CODE FOR THOSE REQUIREMENTS

INSTALLATION GUIDE-SURFACE MOUNT



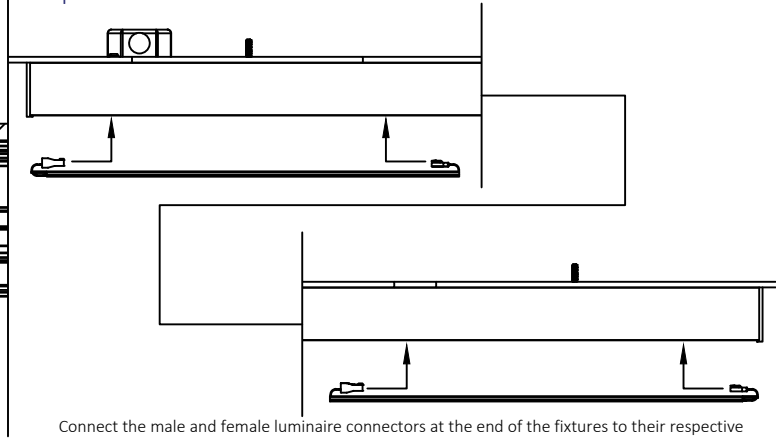
Risk of fire and electrical shock. In accordance with national local building and electrical codes, CORONET lighting fixtures must be installed by a qualified electrician. Disconnect power at electrical panel before servicing.

3



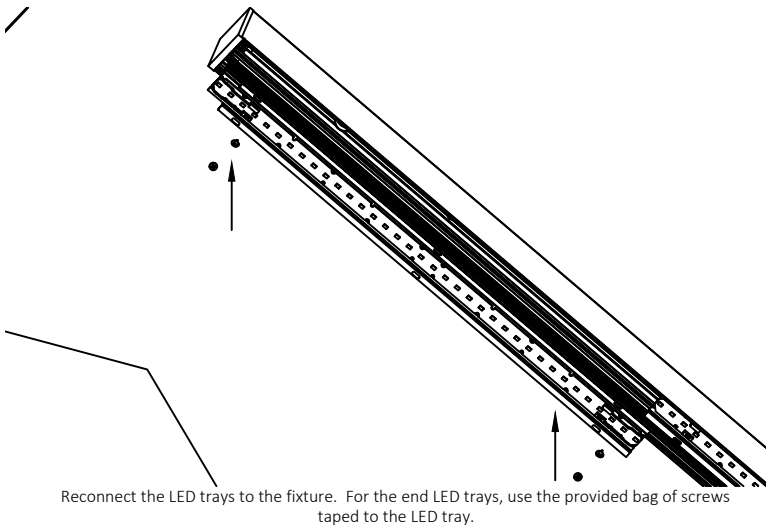
Secure the fixture to the ceiling using with a threaded rod and nut through the drilled out holes (hardware by others).

4



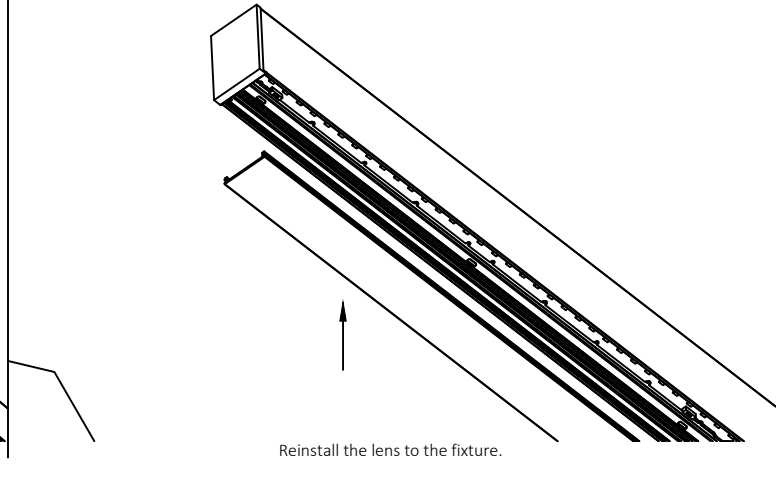
Connect the male and female luminaire connectors at the end of the fixtures to their respective connectors for the LED driver and the adjacent LED board.

5



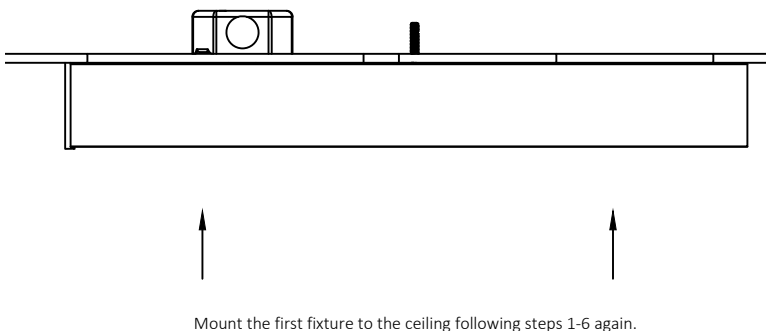
Reconnect the LED trays to the fixture. For the end LED trays, use the provided bag of screws taped to the LED tray.

6



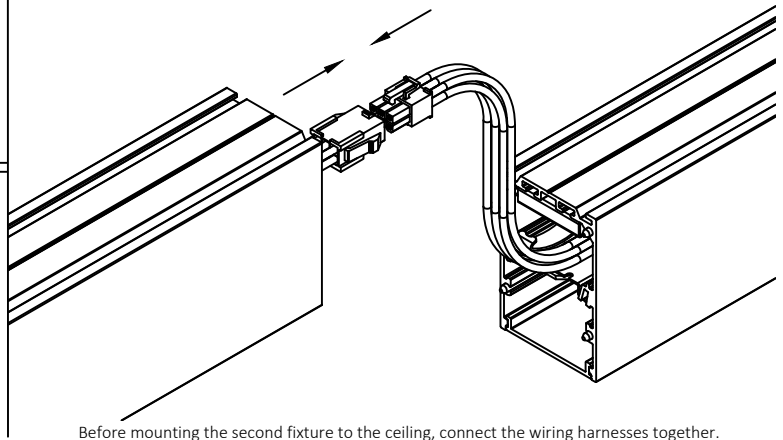
Reinstall the lens to the fixture.

7 Continuous Rows



Mount the first fixture to the ceiling following steps 1-6 again.

8

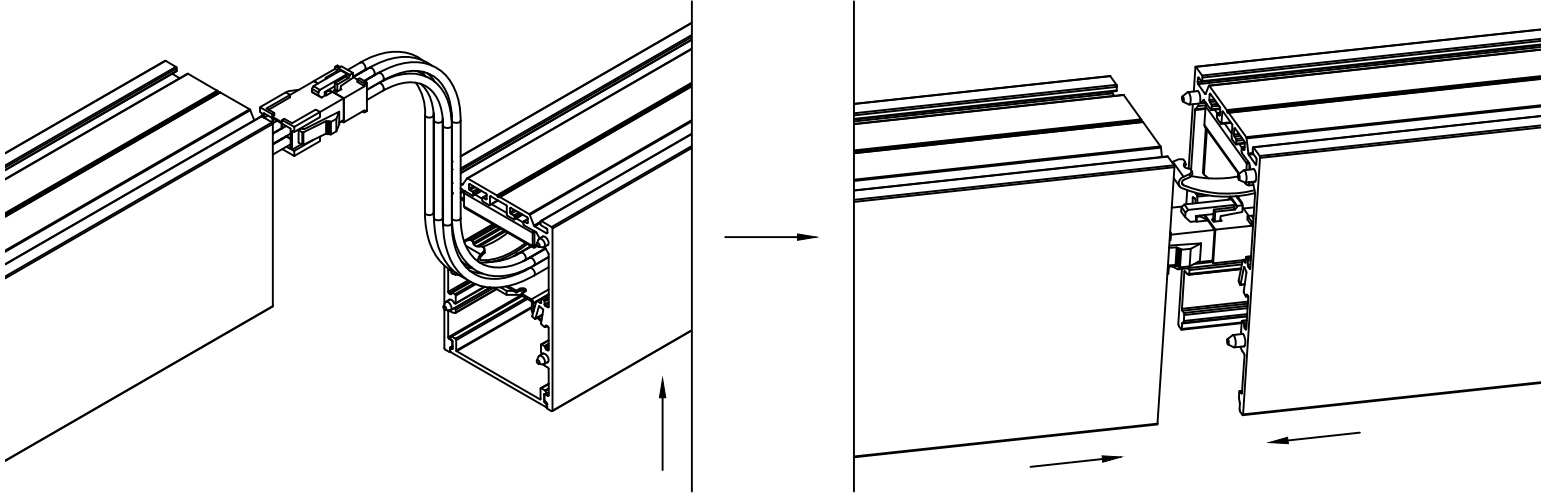


Before mounting the second fixture to the ceiling, connect the wiring harnesses together.



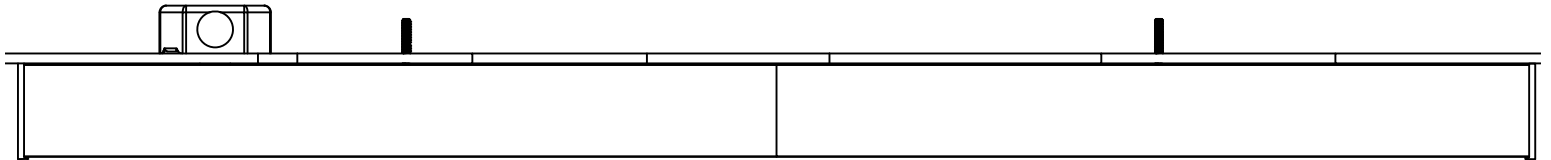
Risk of fire and electrical shock. In accordance with national local building and electrical codes, CORONET lighting fixtures must be installed by a qualified electrician. Disconnect power at electrical panel before servicing.

9



With harness connected, raise the fixture so the runs of fixtures can be aligned and connected.

10



Follow steps 1-6 again to mount the second fixture to the ceiling correctly.
 Note: Mounting hole locations vary, please consult submittal drawings for those locations.

GENERAL INSTALLATION CONSIDERATIONS - See submittal drawings for job specific data.

Operating Temperature.....-40°C to 50°C
 Operating Voltage.....110VAC-277VAC, 50Hz-60Hz
 Weight.....1.8 lb/ft
 Dimensions.....See submittal drawings

- Installation by a certified electrician only.
- Read and understand the installation instructions before attempting to install or use the fixture.
- Only use fixtures with voltage for which it is rated. Do not exceed the specified voltage and current input.
- Do not use the fixture if the housing, lens, or power cable is damaged.
- Ensure that the main power supply is off before installing or wiring the fixture.
- Method of wire connection to be determined by local electrical codes and regulations.
- The external flexible cable of this luminaire cannot be field replaced; if the cord is damaged, contact Coronet.
- The light source contained in this luminaire shall only be replaced by the lighting manufacturer or his service agent or a similar qualified person.

Please contact our technical support team for assistance.