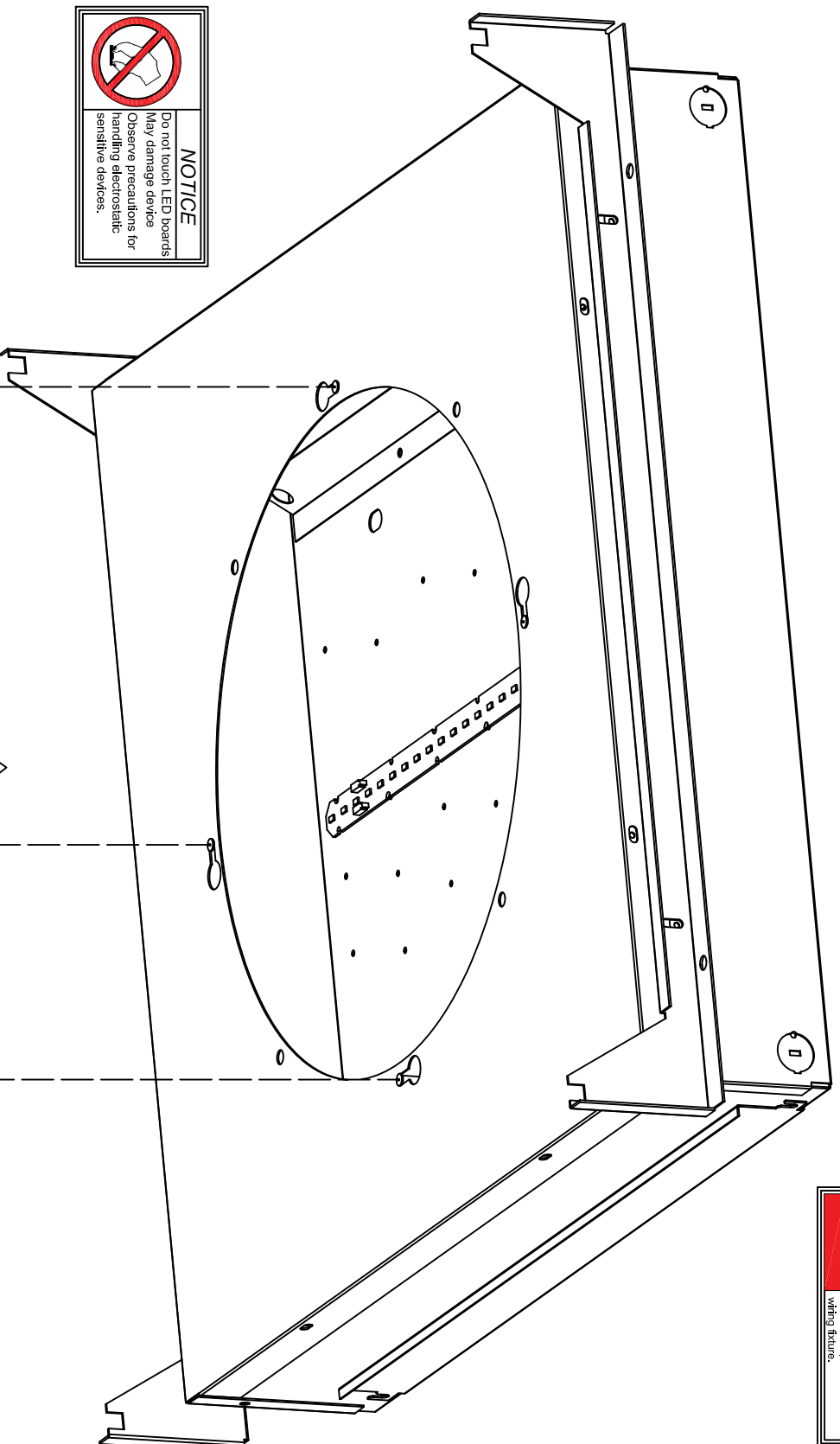


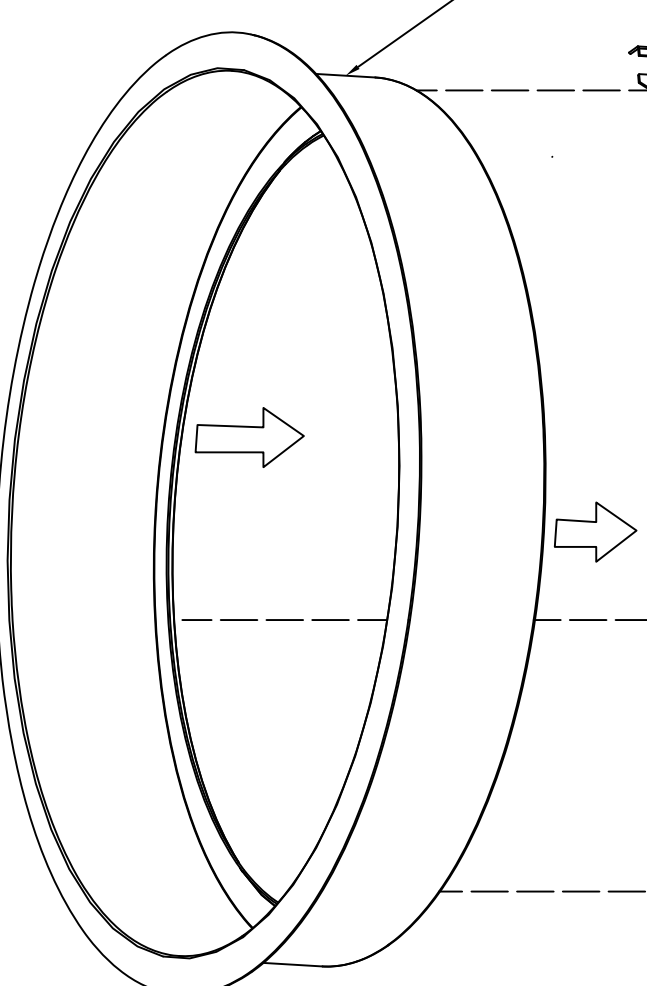
RRD 18" INSTALLATION SHEET

STEP 1:
LAY-IN FIXTURE ON THE GRID WITHOUT RING.
DO ALL ELECTRICAL CONNECTIONS & TEST
FIXTURE.

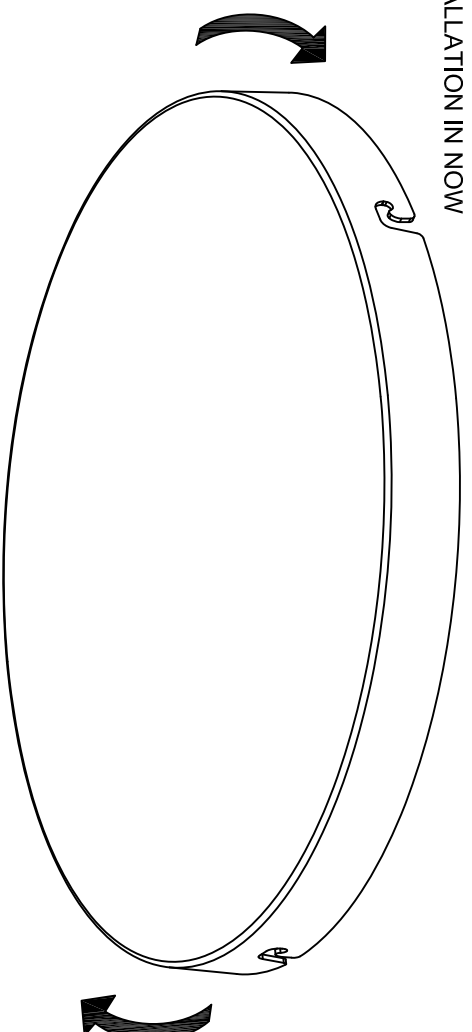


NOTICE
Do not touch LED boards
May damage device
Observe precautions for
handling electrostatic
sensitive devices.

STEP 2:
USE RING AS A TEMPLATE.
TO CUT AROUND THE CEILING TILE.
INSTALL TILE FIRST AND THEN
BRING RING UP TO FIXTURE
AND LOCK IN PLACE.



STEP 3: INSTALL LENS BY TWIST LOCKING IN
THE PROPER LOCATION, INSTALLATION IS NOW
COMPLETED.



Luminaires must be installed by a qualified electrician (check with local and national codes for proper installation).
To prevent electrical shock, disconnect electrical supply before installation or servicing.

coronet