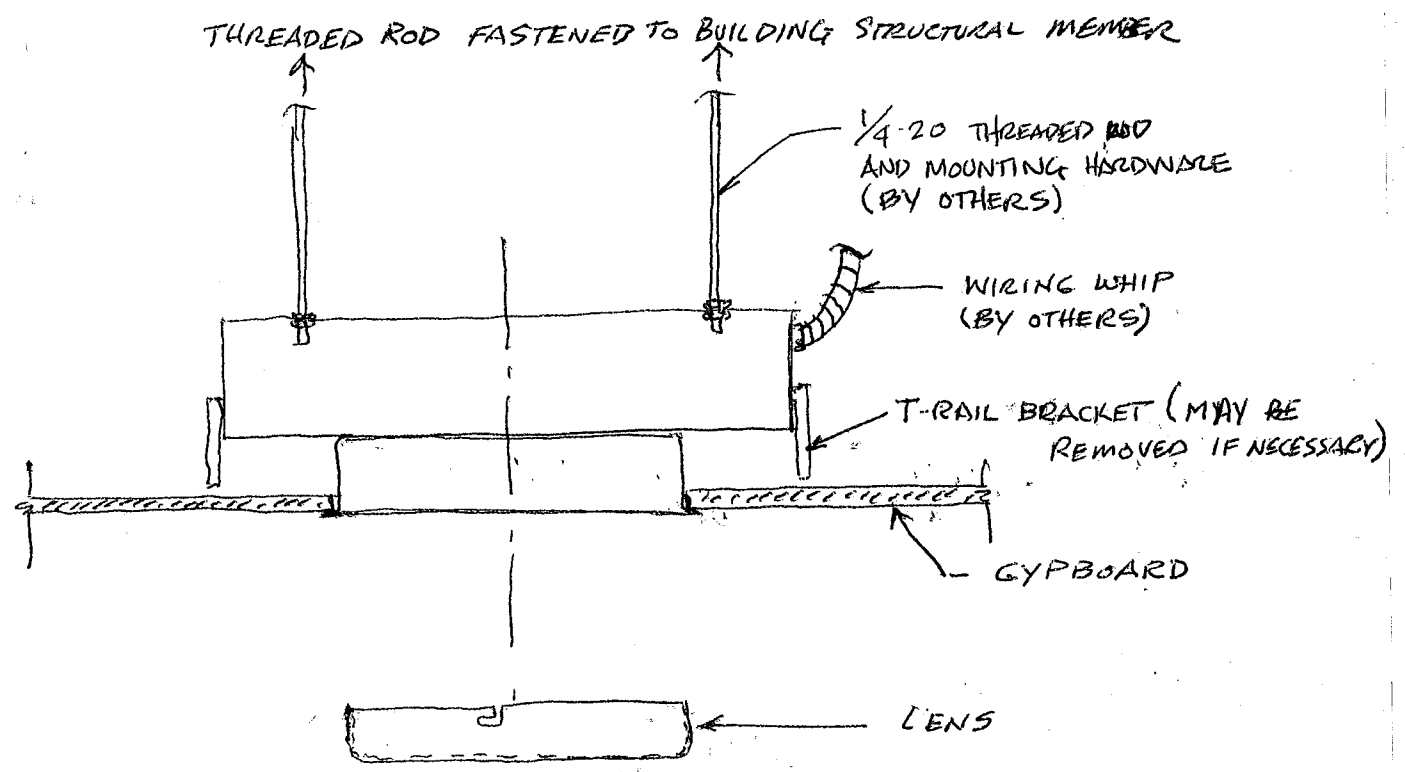


RRD 18" INSTALLATION SHEET
 FOR GYPBOARD CEILINGS

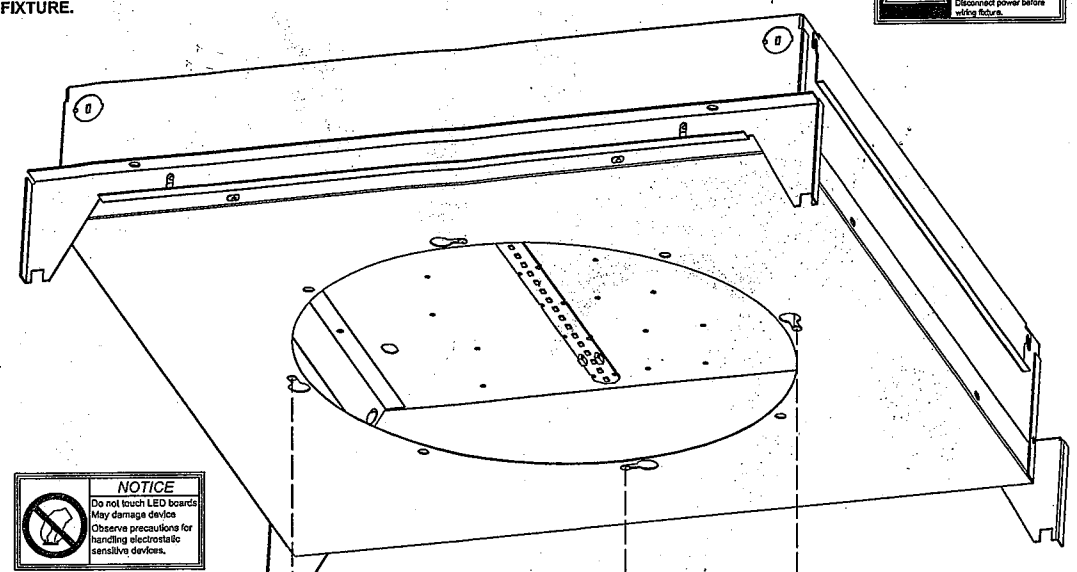
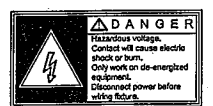
INSTALLATION SIMILAR TO T-GRID INSTALLATION EXCEPT FOR
 THREADED ROD MOUNTING (SEE BELOW)



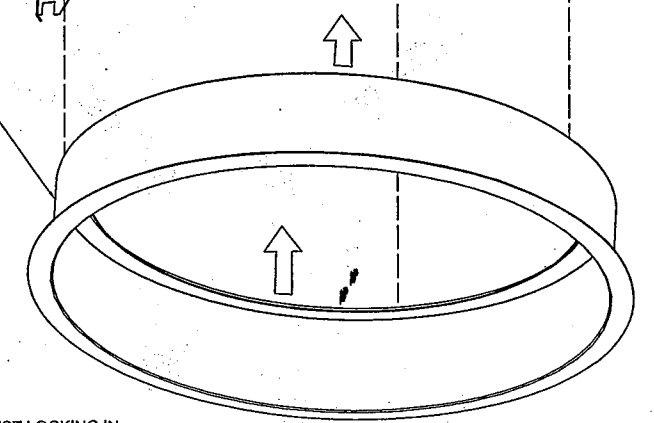
FIXTURE MUST BE INSTALLED BEFORE CLOSING
 IN CEILING.

RRD 18" INSTALLATION SHEET

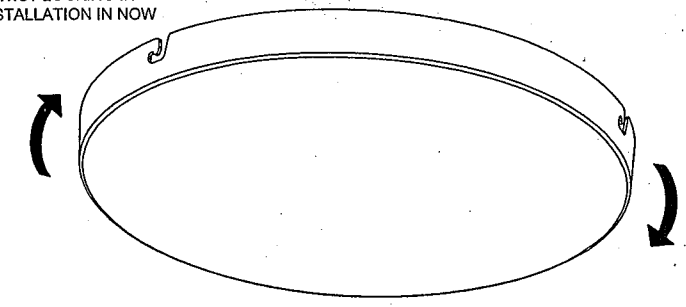
STEP 1:
 LAY-IN FIXTURE ON THE GRID WITHOUT RING.
 DO ALL ELECTRICAL CONNECTIONS & TEST
 FIXTURE.



STEP 2:
 USE RING AS A TEMPLATE,
 TO CUT AROUND THE CEILING TILE.
 INSTALL TILE FIRST AND THEN
 BRING RING UP TO FIXTURE
 AND LOCK IN PLACE.



STEP 3: INSTALL LENS BY TWIST LOCKING IN
 THE PROPER LOCATION, INSTALLATION IS NOW
 COMPLETED.



Luminaires must be installed by a qualified electrician (check with local and national codes for proper installation).
 To prevent electrical shock, disconnect electrical supply before installation or servicing.

