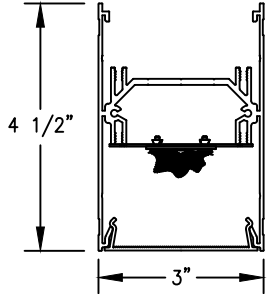


INSTALLATION GUIDE-SURFACE MOUNT

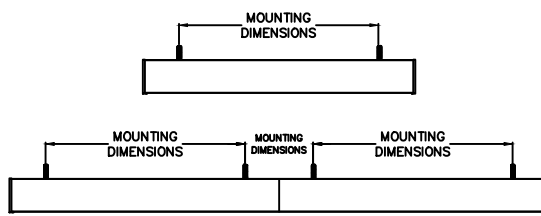


Risk of fire and electrical shock. In accordance with national local building and electrical codes, CORONET lighting fixtures must be installed by a qualified electrician. Disconnect power at electrical panel before servicing.

CROSS SECTION VIEW



SIDE VIEW

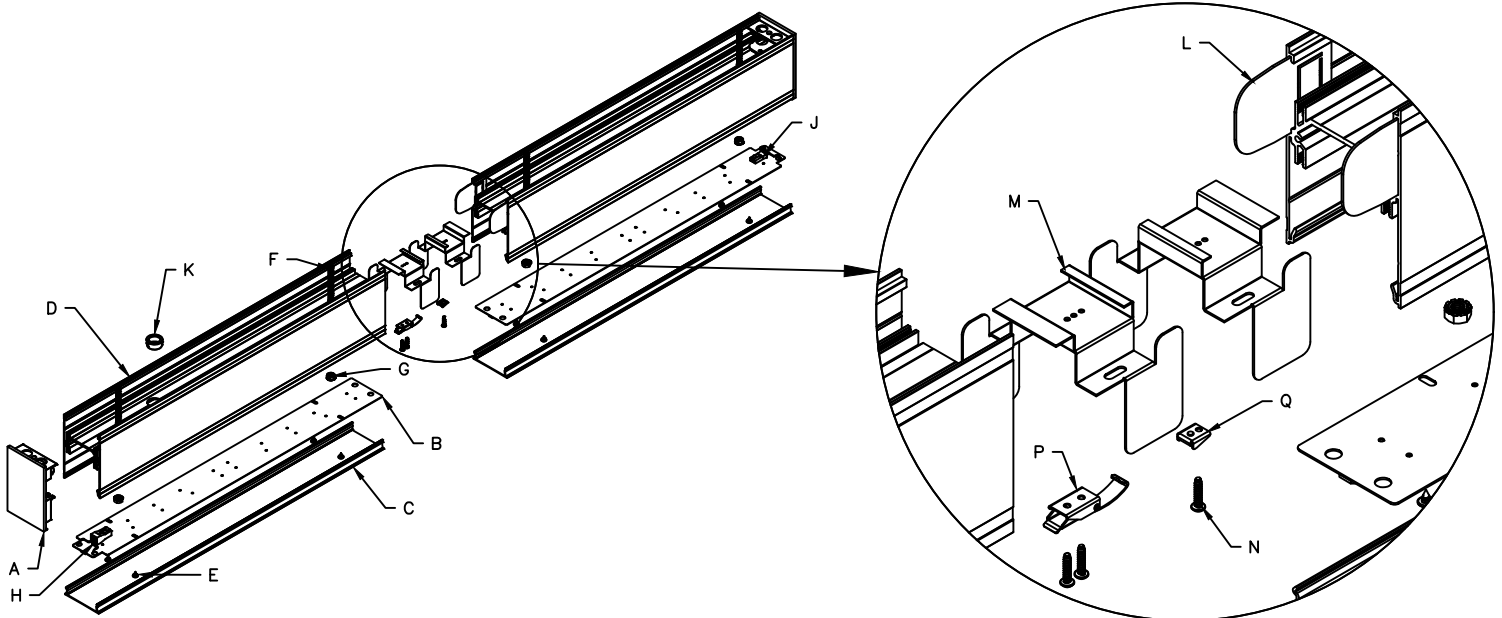


PLEASE CONSULT FACTORY SHOP DRAWINGS FOR MOUNTING POINTS

PART LIST

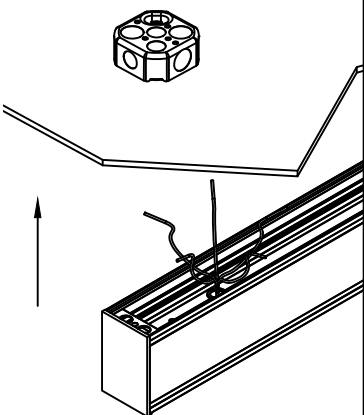
- A-End Plate
- B-LED Tray
- C-Lens
- D-Extrusion
- E-8-32 Screw
- F-1/4-20 Machine Screw
- G-1/4-20 Nut
- H-Female Luminaire Connector
- J-Male Luminaire Connector
- K-Bushing
- L-Aligner Bracket
- M-Bracket for Catch & Latch
- N-6-32 Screw
- P-Latch
- Q-Catch

EXPLODED CONNECTION DETAIL



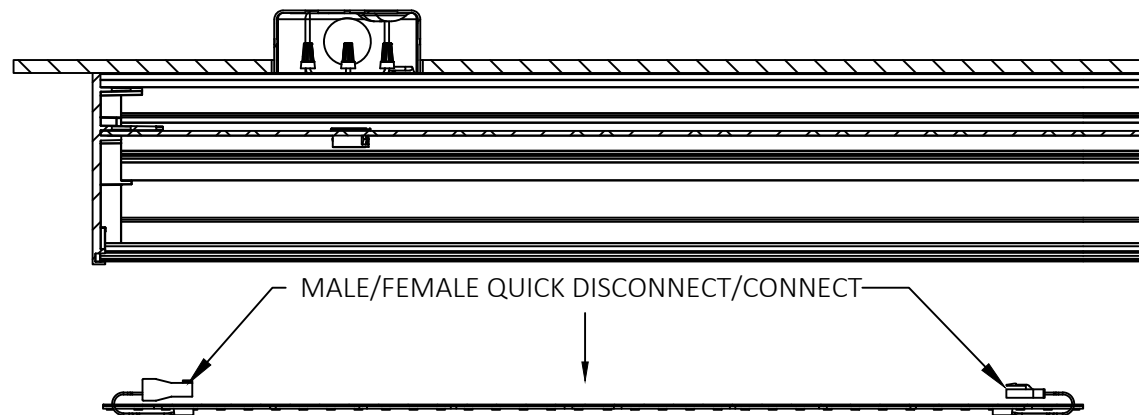
EXPLODED VIEWS ARE TO SHOW DETAIL ONLY, FIXTURES ARE SHIPPED PRE-ASSEMBLED.

1



Before mounting the fixture to the ceiling, run the wires from the fixture to and through the switch box.

2



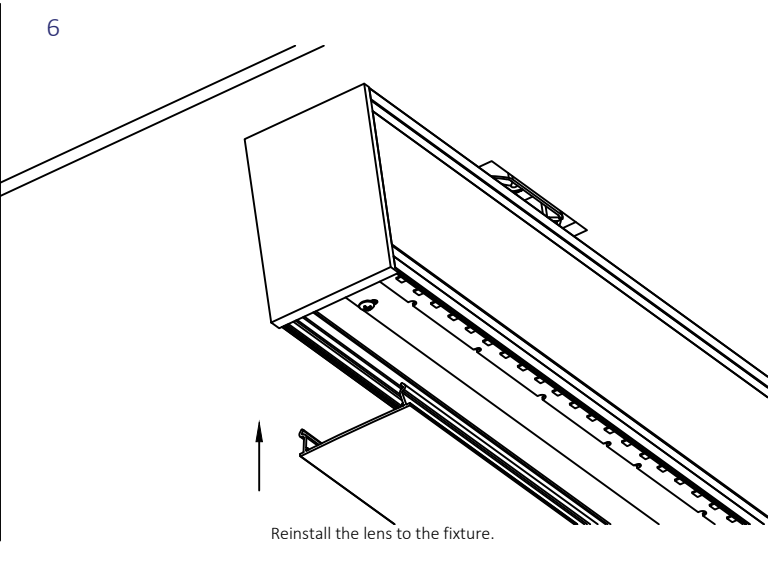
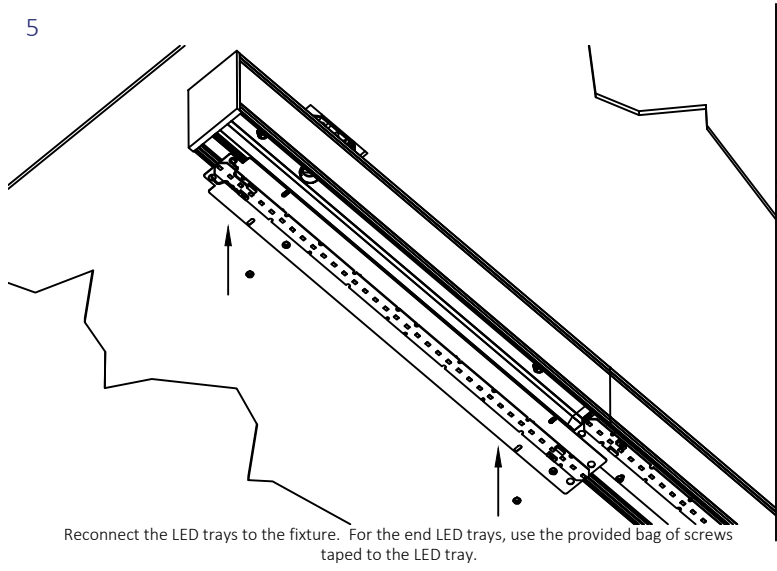
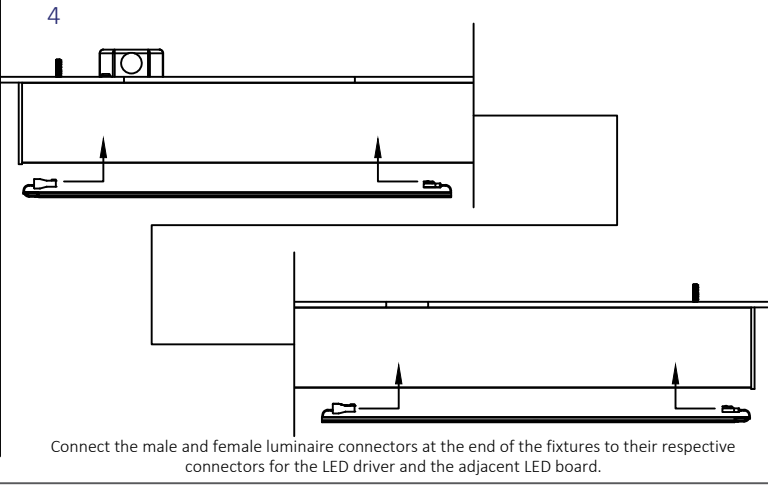
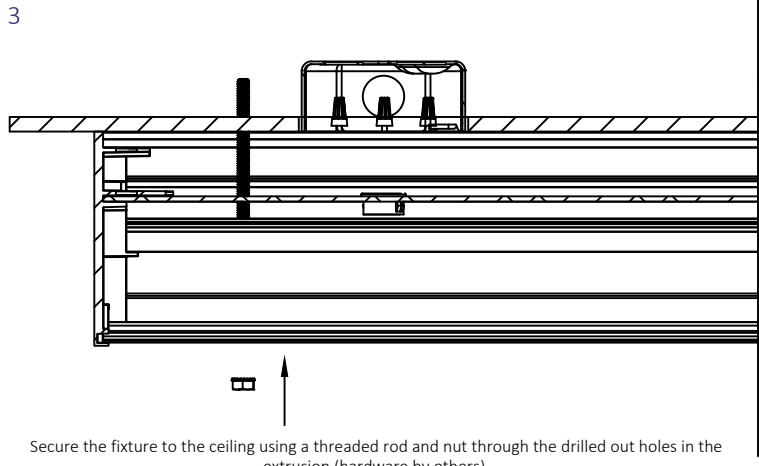
Remove the LED trays to allow access for securing the fixture to the ceiling. The end LED trays will be shipped loose. For fixture runs longer than 4ft, the middle LED trays will be connected to the fixture and they will have to be removed to secure the fixture to the ceiling.

INDIVIDUAL FIXTURES ARE NOT INTENDED FOR CONTINUOUS RUNS.
ADDITIONAL SUPPORTS TO THE STRUCTURE MAY BE REQUIRED.
*CHECK WITH YOUR LOCAL BUILDING CODE FOR THOSE REQUIREMENTS

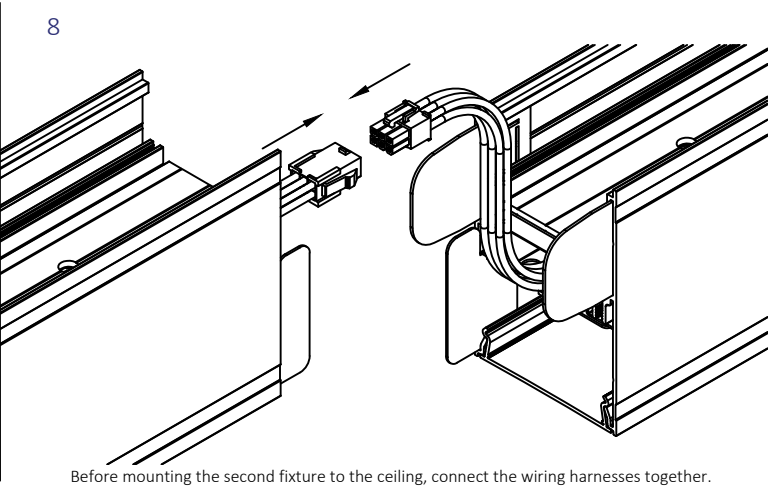
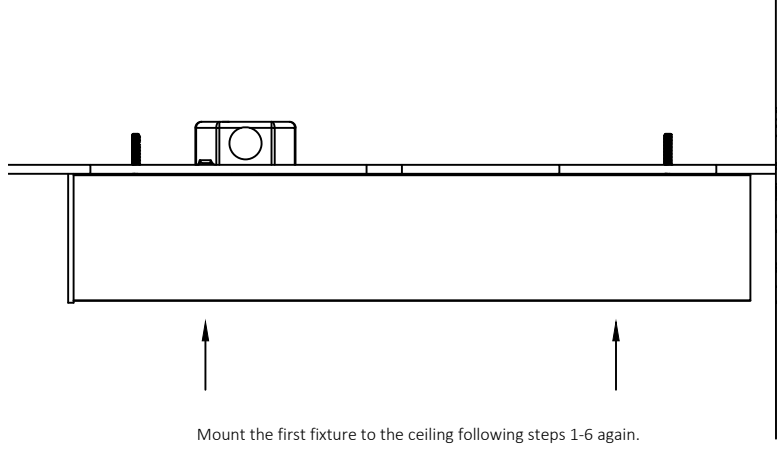
INSTALLATION GUIDE-SURFACE MOUNT



Risk of fire and electrical shock. In accordance with national local building and electrical codes, CORONET lighting fixtures must be installed by a qualified electrician. Disconnect power at electrical panel before servicing.



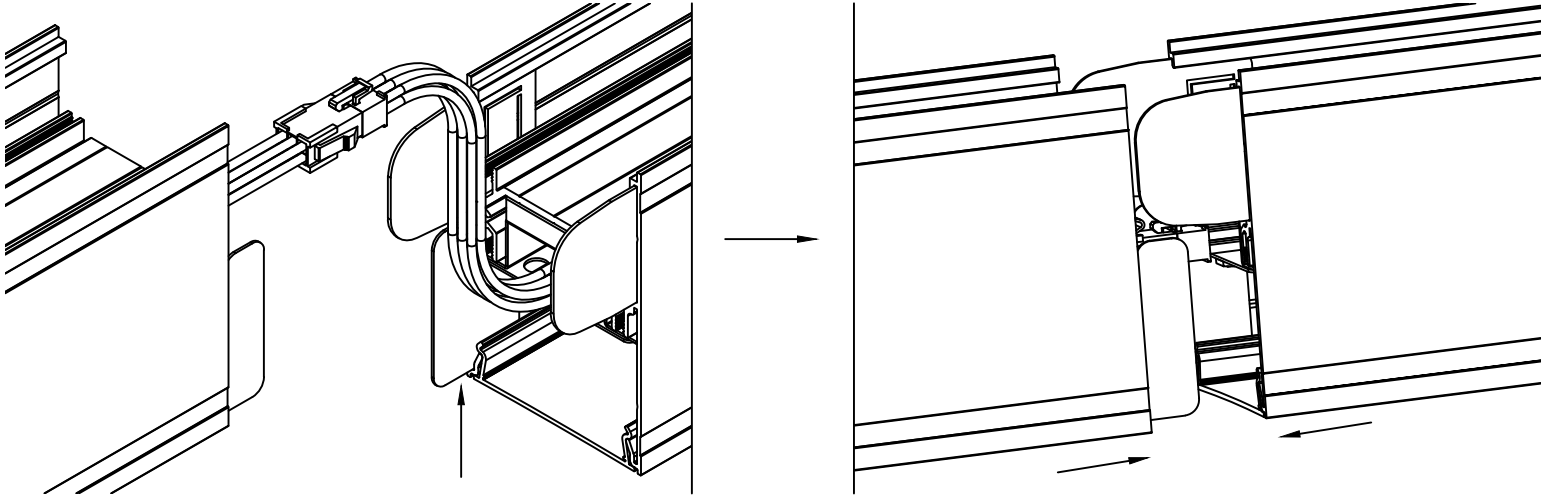
7 Continuous Rows





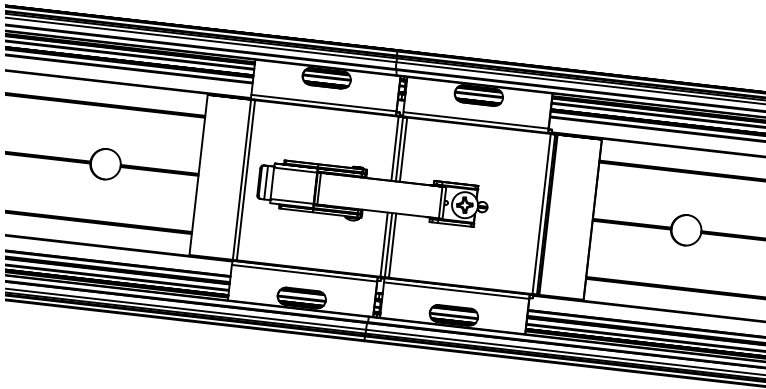
Risk of fire and electrical shock. In accordance with national local building and electrical codes, CORONET lighting fixtures must be installed by a qualified electrician. Disconnect power at electrical panel before servicing.

9



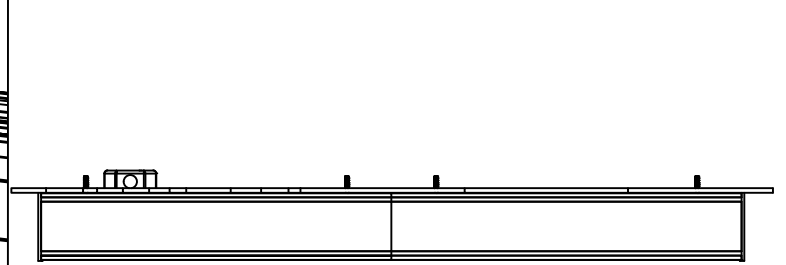
With harness connected, raise the fixture so the runs of fixtures can be aligned and connected.

10



Use the catch and latch to securely connect the two fixtures together.

11



Follow steps 1-6 again to mount the second fixture to the ceiling correctly.
Note: Mounting hole locations vary, please consult submittal drawings for those locations.

GENERAL INSTALLATION CONSIDERATIONS - See submittal drawings for job specific data.

Operating Temperature.....-40°C to 50°C
 Operating Voltage.....110VAC-277VAC, 50Hz-60Hz
 Weight.....lb/ft
 Dimensions.....See submittal drawings

- Installation by a certified electrician only.
- Read and understand the installation instructions before attempting to install or use the fixture.
- Only use fixtures with voltage for which it is rated. Do not exceed the specified voltage and current input.
- Do not use the fixture if the housing, lens, or power cable is damaged.
- Ensure that the main power supply is off before installing or wiring the fixture.
- Method of wire connection to be determined by local electrical codes and regulations.
- The external flexible cable of this luminaire cannot be field replaced; if the cord is damaged, contact Coronet.
- The light source contained in this luminaire shall only be replaced by the lighting manufacturer or his service agent or a similar qualified person.

Please contact our technical support team for assistance.